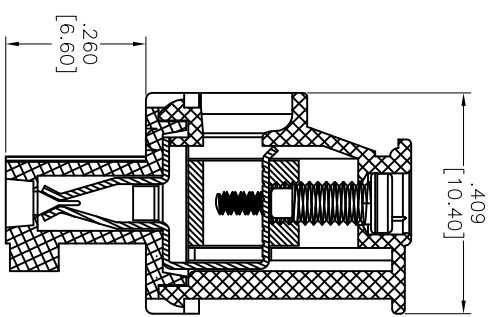
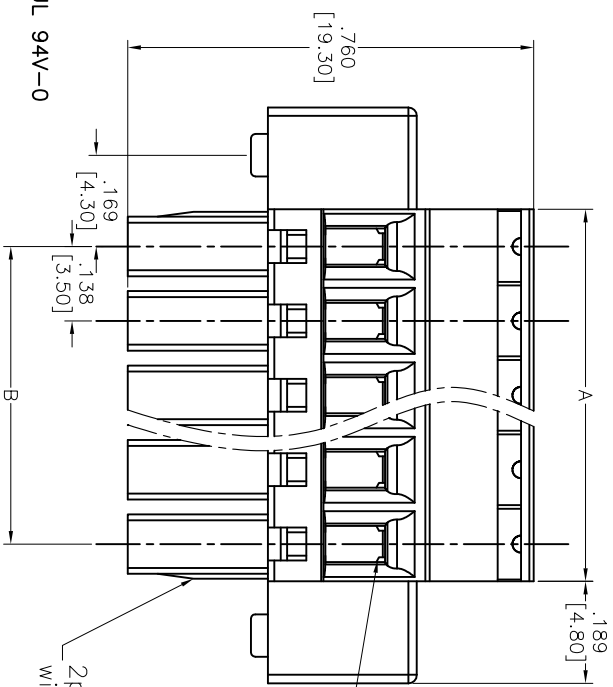
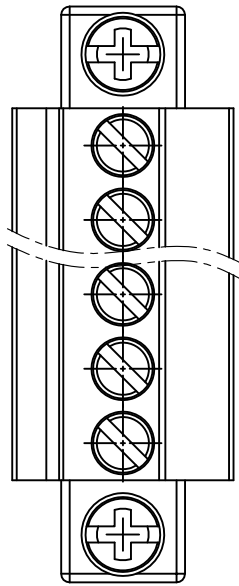


Rev	AWO #	Description	Date	Appr
-		RELEASED	9/30/11	

APPROVED: \_\_\_\_\_  
 DATE: \_\_\_\_\_ TITLE: \_\_\_\_\_



**SPECIFICATIONS:**

**Material:**  
 Insulator: Thermoplastic, rated UL 94V-0  
 Insulator color: Green  
 Clamp: Brass, Nickel plated  
 Contact: Phosphor Bronze, Tin plated  
 Screw: Steel, M2/Zn plated  
 With Flange Screw: Steel, M2.5/Zn plated

**Electrical:**  
 Operation voltage: 300 VAC  
 Current rating: 8 Amps  
 Withstanding Voltage: 1.6KV

**Mechanical:**  
 Wire range(mm<sup>2</sup>): 1.5  
 Solid wire (AWG): 16-28  
 Stranded wire (AWG): 16-28  
 Torque(Lb-in): 1.7  
 Wire strip length(mm): 6-7  
 Temperature Rating:  
 Operating temperature: -40°C to +115°C  
 Environmental:  
 Lead free, RoHS compliant.  
 Recommended soldering temp: 250°C for 5 sec.

2p to 6p with wedge, above 7p  
 without wedge (including 7p)

Positions: 2 thru 24  
 A = .138 [3.50] x No. of Positions  
 B = .138 [3.50] x No. of Spaces

Positions	Tolerance
2-8P	±.004 [0.10]
9-16P	±.008 [0.20]
17-24P	±.012 [0.30]

**ADAM TECH**

909 Railway Avenue, Union, NJ 07083  
 Phone: 908-687-5000 Fax: 908-687-5710

TITLE: EURO BLOCK, .138 [3.50] PITCH, WITH FLANGE

UNLESS OTHERWISE SPECIFIED ALL DIMENSIONS ARE MM [INCHES] TOLERANCES: EXCEPT AS NOTED	
INCHES	HOLDS
.X ±.10	ØX ±.10
.XX ±.020	ØXX ±.015
.XXX ±.015	ØXXX ±.010
APPROVALS	DATE
DRAWN TW	9/30/11
CHECKED AY	9/30/11
APPROVED	

SIZE	PART NO.	REV.
X	EB5-XX-A-E	-
REF:	S00007T	SCALE: NTS
SHEET	1	OF 1

6 5 4 3 2 1

A B C D

