

6

5

4

3

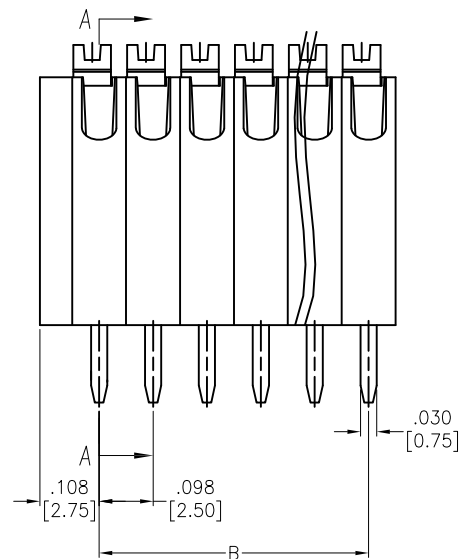
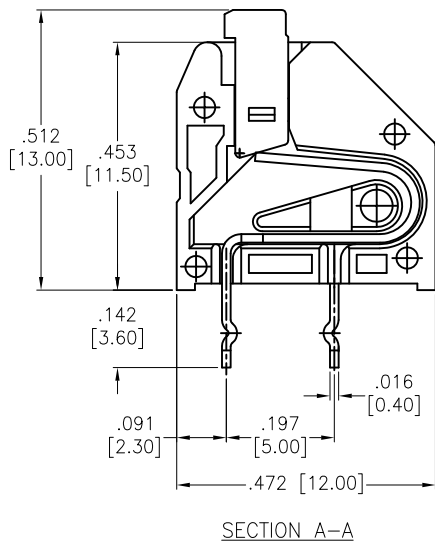
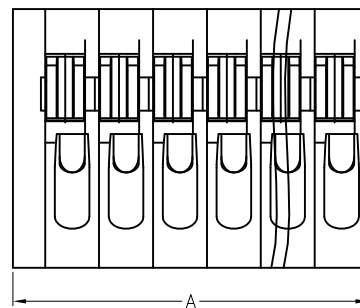
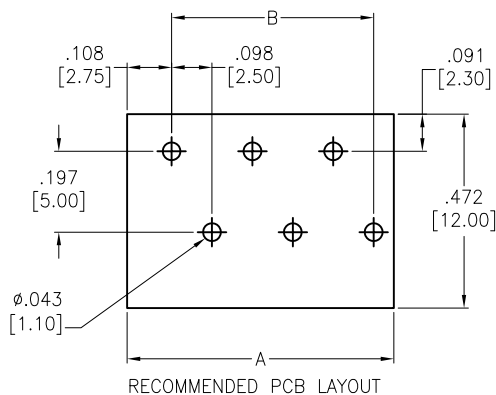
2

1

APPROVED: _____

DATE: _____ TITLE: _____

Rev	AWO #	Description	Date	Appr
-		RELEASED	7/6/16	



SPECIFICATIONS:

Material:
 Insulator: PA66, rated UL 94V-0
 Insulator color: Grey
 Contact: Phosphor Bronze, Tin plated
 Electrical:
 Voltage rating: 300 VAC
 Current rating: 4 Amps
 Contact resistance: 20 mohms
 Insulation resistance: 500 Mohms min @ 500 VDC
 Dielectric withstanding voltage: 2,000 VAC for 1 minute
 Mechanical:
 Wire range: 28~20 AWG, 0.5mm²
 Strip length: 9-10 mm
 Temperature Rating:
 Operating temperature: -40°C to +105°C
 Environmental:
 Lead free, RoHS compliant.



Positions: 01 thru XX
 A= .098 [2.50] x No. of Positions + .059 [1.50]
 B= .098 [2.50] x No. of Space

UNLESS OTHERWISE SPECIFIED ALL DIMENSIONS ARE INCHES [MM] TOLERANCES: EXCEPT AS NOTED		ADAM TECH 909 Rahway Avenue, Union, NJ 07083 Phone: 908-687-5000 Fax: 908-687-5710	
INCHES HOLES .X ±.10 Ø.X ±.10 .XX ±.020 Ø.XX ±.015 .XXX ±.015 Ø.XXX ±.010			
APPROVALS		DATE	
DRAWN	AY	7/6/16	
CHECKED	YC	7/6/16	
APPROVED			
TITLE		EURO BLOCK, .098 [2.50] PITCH, WITH END COVER DOUBLE ROW CENTER CONTACT LINK	
SIZE	PART NO.	REV.	
X	EB59A-XX-V	-	
REF:	S00067C	SCALE:	NTS
		SHEET 1 OF 1	

6

5

4

3

2

1