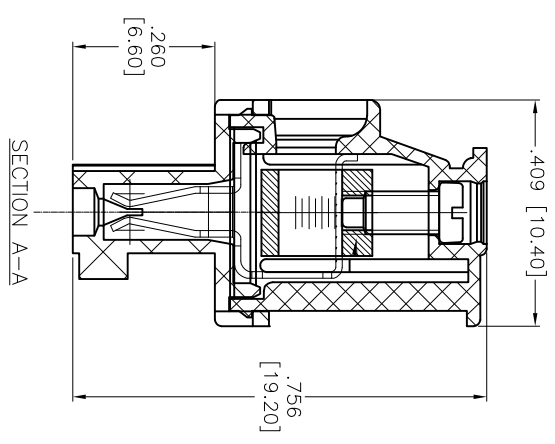
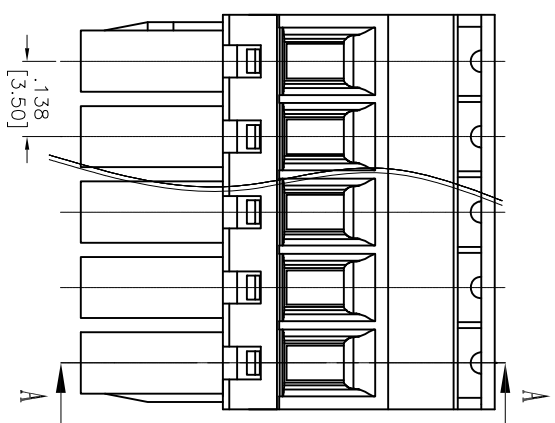
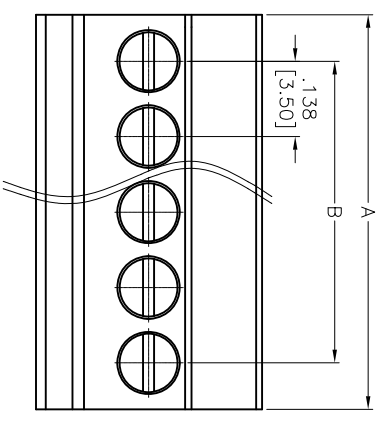


| Rev | AWO # | Description | Date | Appr |
|-----|-------|-------------|--------|------|
| - | | RELEASED | 4/1/15 | |

APPROVED: _____

DATE: _____ TITLE: _____



Positions: 2 thru 24
 A = .138 [3.50] x No. of Spaces + .169 [4.30]
 B = .138 [3.50] x No. of Spaces

SPECIFICATIONS:

- Material: PA66, rated UL 94V-0
- Insulator color: Green
- Screw: M2.0 Steel, Zinc plated
- Clamp: Phosphor Bronze, Nickel plated
- Cage: Brass, Nickel plated
- Electrical:
 - Operation voltage: 300 V
 - Current rating: 8 A
 - Contact resistance: 20 mohms max
 - Insulation resistance: 500 Mohms min @ 500 VDC
 - Dielectric withstanding voltage: 2,000 VAC for 1 minute
- Mechanical:
 - Wire Range: 16-28AWG, 1.0mm²
 - Torque: 0.2N-m, 1.7lb-in
 - Wire strip length: 6-7mm
 - Temperature Rating: Operating temperature: -40°C to +105°C



ADAM TECH

909 Rahway Avenue, Union, NJ 07083
 Phone: 908-687-5000 Fax: 908-687-5710

EURO BLOCK, .138 [3.50] PITCH

| UNLESS OTHERWISE SPECIFIED ALL DIMENSIONS ARE INCHES [MM] | | TOLERANCES EXCEPT AS NOTED | |
|--------------------------------------------------------------|--------|----------------------------|--------------|
| .X | ± .10 | ØX | ± .10 |
| .XX | ± .020 | ØXX | ± .015 |
| .XXX | ± .015 | ØXXX | ± .010 |
| APPROVALS | | | |
| DRAWN | AY | DATE | 4/1/15 |
| CHECKED | NP | DATE | 4/1/15 |
| APPROVED | | DATE | |
| TITLE | | SIZE | PART NO. |
| EURO BLOCK, .138 [3.50] PITCH | | X | EB5A-XX-A |
| REF: S00037C | | SCALE: NTS | SHEET 1 OF 1 |