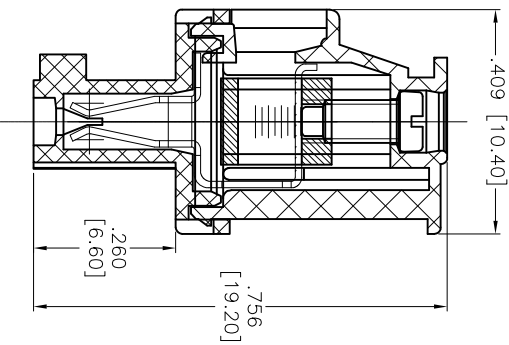
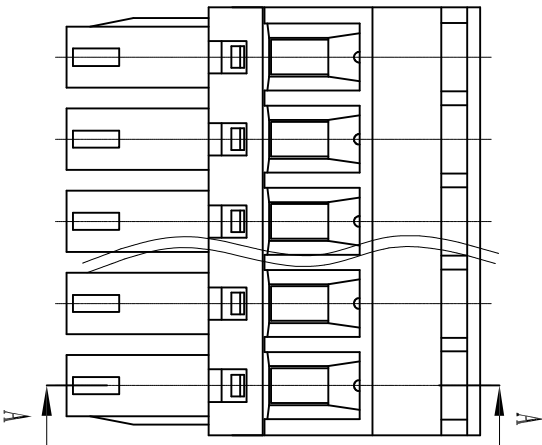
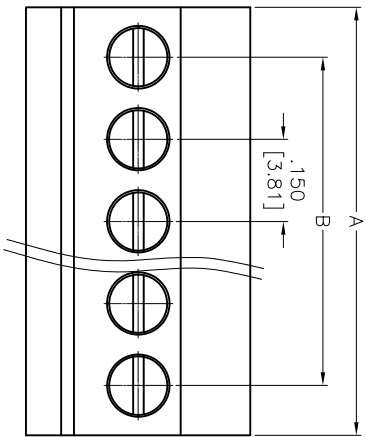


Rev	AWO #	Description	Date	Appr
-		RELEASED	5/13/15	

APPROVED: _____

DATE: _____ TITLE: _____



Positions: 2 thru 24
 A = .150 [3.81] x No. of Spaces + .181 [4.60]
 B = .150 [3.81] x No. of Spaces

UNLESS OTHERWISE SPECIFIED
 ALL DIMENSIONS ARE INCHES [MM]

TOLERANCES: EXCEPT AS NOTED	HOLDS
.X ± .10	ØX ± .10
.XX ± .020	ØXXX ± .015
.XXX ± .015	ØXXX ± .010

APPROVALS

DRAWN	AY	DATE
CHECKED	KW	5/13/15
APPROVED		

ADAM TECH

909 Rahway Avenue, Union, NJ 07083
 Phone: 908-687-5000 Fax: 908-687-5710

EURO BLOCK, .150 [3.81] PITCH, REVERSE

SIZE	PART NO.	REV.
X	EB5A-XX-B-R	-

REF: S00037C SCALE: NTS SHEET 1 OF 1

SPECIFICATIONS:

- Material: Insulator: PA66, rated UL 94V-0
- Insulator color: Green
- Screw: M2.0 Steel, Zinc plated
- Clamp: Phosphor Bronze, Nickel plated
- Cage: Brass, Nickel plated
- Electrical:
 - Operation voltage: 300 V
 - Current rating: 8 A
 - Contact resistance: 20 mohms max
 - Insulation resistance: 500 Mohms min @ 500 VDC
 - Dielectric withstanding voltage: 2,000 VAC for 1 minute
- Mechanical:
 - Wire Range: 16-28AWG, 1.0mm²
 - Torque: 0.2N-m, 1.7lb-in
 - Wire strip length: 6-7mm
 - Temperature Rating: Operating temperature: -40°C to +105°C

