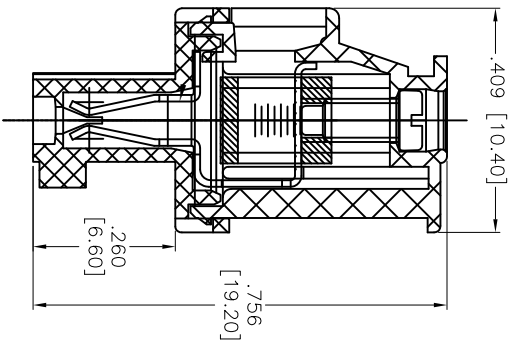
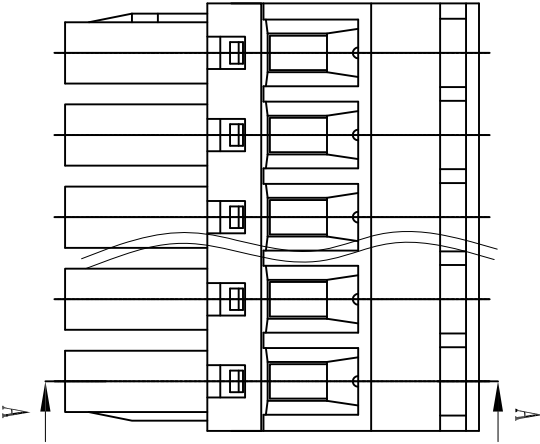
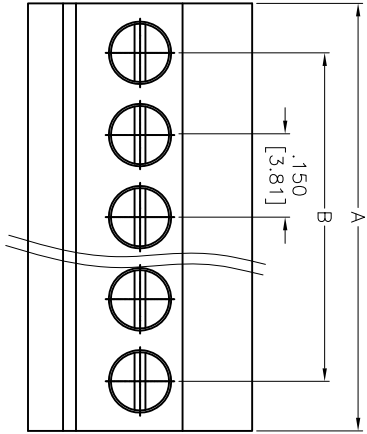


Rev	AWO #	Description	Date	Appr
-		RELEASED	4/1/15	

APPROVED: _____
 DATE: _____ TITLE: _____



Positions: 2 thru 24
 A = .150 [3.81] x No. of Spaces + .181 [4.60]
 B = .150 [3.81] x No. of Spaces

SPECIFICATIONS:
 Material: PA66, rated UL 94V-0
 Insulator color: Green
 Screw: M2.0 Steel, Zinc plated
 Clamp: Phosphor Bronze, Nickel plated
 Cage: Brass, Nickel plated
 Electrical:
 Operation voltage: 300 V
 Current rating: 8 A
 Contact resistance: 20 mohms max
 Insulation resistance: 500 Mohms min @ 500 VDC
 Dielectric withstanding voltage: 2,000 VAC for 1 minute
 Mechanical:
 Wire Range: 16-28AWG, 1.0mm²
 Torque: 0.2N-m, 1.7lb-in
 Wire strip length: 6-7mm
 Temperature Rating:
 Operating temperature: -40°C to +105°C



UNLESS OTHERWISE SPECIFIED
 ALL DIMENSIONS ARE INCHES [MM]
 TOLERANCES: EXCEPT AS NOTED

.X	± .10	ØX	± .10
.XX	± .020	ØXXX	± .015
.XXX	± .015	ØXXXX	± .010

ADAM TECH
 909 Railway Avenue, Union, NJ 07083
 Phone: 908-687-5000 Fax: 908-687-5710

APPROVALS	DATE	TITLE	SIZE	PART NO.	REV.
DRAWN	HR	4/1/15	X	EB5A-XX-B	-
CHECKED	KW	4/1/15	X		
APPROVED			REF: S00037C	SCALE: NTS	SHEET 1 OF 1

6 5 4 3 2 1