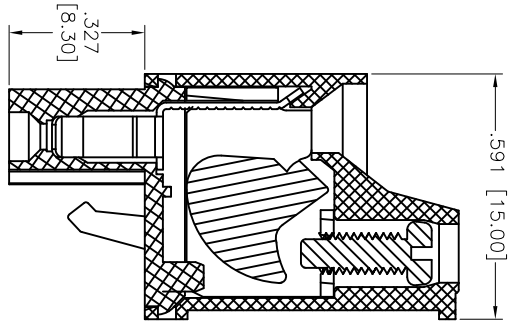
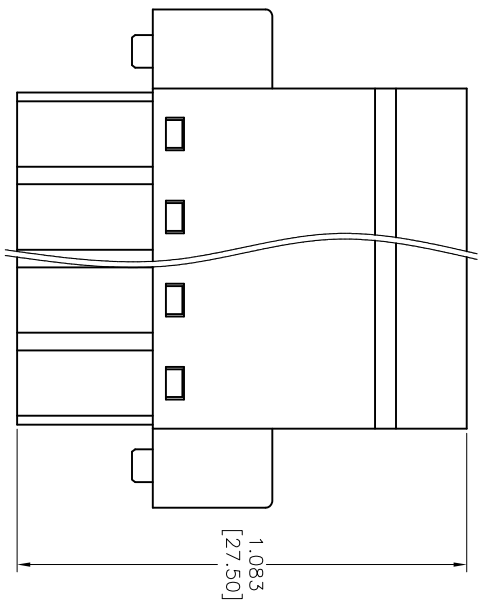
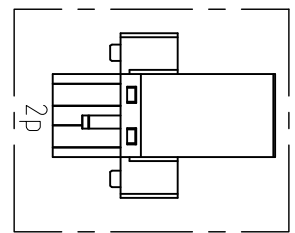
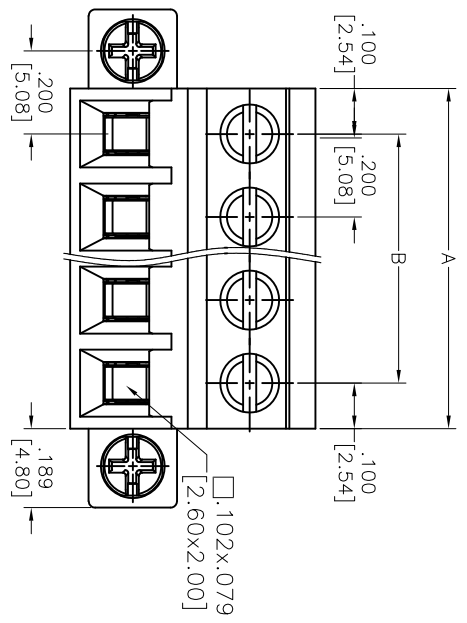


Rev	AWO #	Description	Date	Appr
-		RELEASED	10/06/11	

APPROVED: _____
 DATE: _____ TITLE: _____



Positions: 2 thru 24
 A = .200 [5.08] x No. of Positions
 B = .200 [5.08] x No. of Spaces

Positions	Tolerance
2-6P	±.008 [0.20]
7-12P	±.010 [0.25]
13-18P	±.012 [0.30]
19-24P	±.016 [0.40]

SPECIFICATIONS:

Material:
 Insulator: Thermoplastic, rated UL 94V-0
 Insulator color: Green
 Clamp: Steel, Zn plated
 Contact: Phosphor Bronze, Tin plated
 Screw: Brass, M2.5/Zn plated
 With flange Screw: Brass, M2.5/Zn plated

Electrical:
 Operation voltage: 300 VAC
 Current rating: 20 Amps
 Withstanding Voltage: 1.6KV

Mechanical:
 Wire range(mm²): 0.34-2.5
 Solid wire (AWG): 12-22
 Stranded wire (AWG): 12-22
 Torque(Lb-in): 3.5
 Wire strip length(mm): 6-7
 Temperature Rating:
 Operating temperature: -40°C to +115°C
 Environmental:
 Lead free, RoHS compliant.
 Recommended soldering temp: 250°C for 5 sec.



ADAM TECH

909 Railway Avenue, Union, NJ 07083
 Phone: 908-687-5000 Fax: 908-687-5710

TITLE: EURO BLOCK, 200 [5.08] PITCH, WITH FLANGE

UNLESS OTHERWISE SPECIFIED	
ALL DIMENSIONS ARE MM [INCHES]	
TOLERANCES: EXCEPT AS NOTED	
INCHES	HOLES
.X ± .10	ØXX ± .10
.XX ± .020	ØXXX ± .015
.XXX ± .015	ØXXXX ± .010
APPROVALS	
DRAWN	TW
CHECKED	AY
APPROVED	
DATE	DATE
10/06/11	10/06/11

SIZE	PART NO.	REV.
X	EB6-XX-D-E	-
REF:	SCALE: NTS	SHEET 1 OF 1