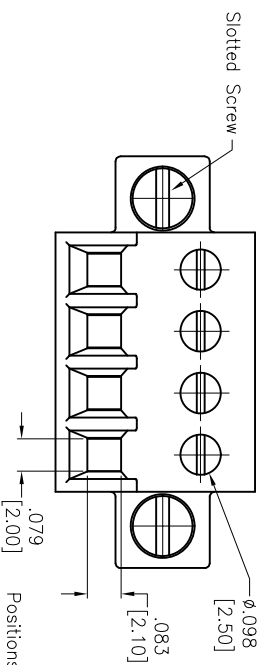
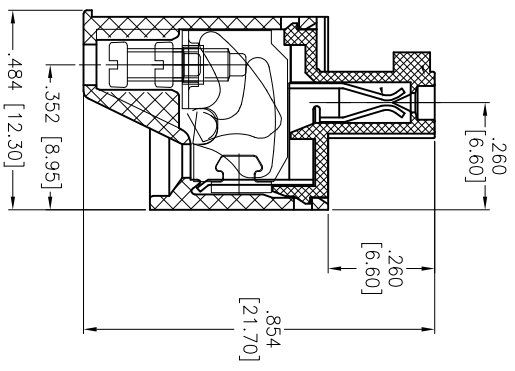
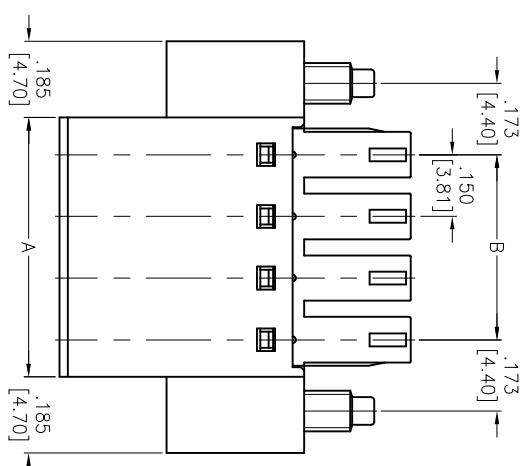
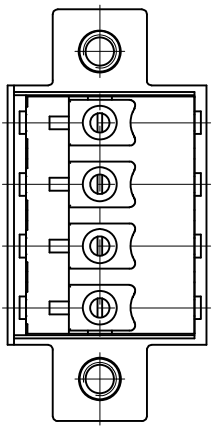


Rev	AWO #	Description	Date	Appr
-		RELEASED	8/19/15	

APPROVED: \_\_\_\_\_  
 DATE: \_\_\_\_\_ TITLE: \_\_\_\_\_



Positions: 02 thru 24  
 A = .150 [3.81] x No. of Spaces + .181 [4.60]  
 B = .150 [3.81] x No. of Spaces

**SPECIFICATIONS:**

- Material: Insulator: PA66, rated UL 94V-0
- Insulator color: Green
- Screw: M2.0 Steel, Zinc plated
- Clamp: Phosphor Bronze, Nickel plated
- Cage: Brass, Zinc plated
- Slide Block: Steel, Zinc plated
- Electrical: Voltage rated: 300 VAC
- Current rated: 8 Amps
- Contact resistance: 20 mΩ
- Insulation resistance: 500 MΩ @ 500 VDC
- Withstanding voltage: 2,000 VAC for 1 minute
- Mechanical: Wire range: 28-16AWG, 1.0mm<sup>2</sup>
- Torque: 0.2N-m, 1.8lb-in
- Strip length: 7mm
- Temperature Rating: Operating temperature: -40°C to +105°C
- Environmental: Lead free, RoHS compliant.



**ADAM TECH**

909 Rahway Avenue, Union, NJ 07083  
 Phone: 908-687-5000 Fax: 908-687-5710

TITLE: EURO TERMINAL BLOCK, .150 [3.81] PITCH WITH FLANGE

UNLESS OTHERWISE SPECIFIED ALL DIMENSIONS ARE INCHES [MM] TOLERANCES: EXCEPT AS NOTED	
.X ± .10	ØXX ± .10
.XX ± .020	ØXXX ± .015
.XXX ± .015	ØXXXX ± .010
APPROVALS	DATE
DRAWN AY	8/19/15
CHECKED KW	8/19/15
APPROVED	

SIZE X	PART NO. EB6A-XX-B-E-SS	REV. -
REF: S00067C	SCALE: NTS	SHEET 1 OF 1