

Rev	AWO #	Description	Date	Appr
-		RELEASED	6/10/15	

6

5

4

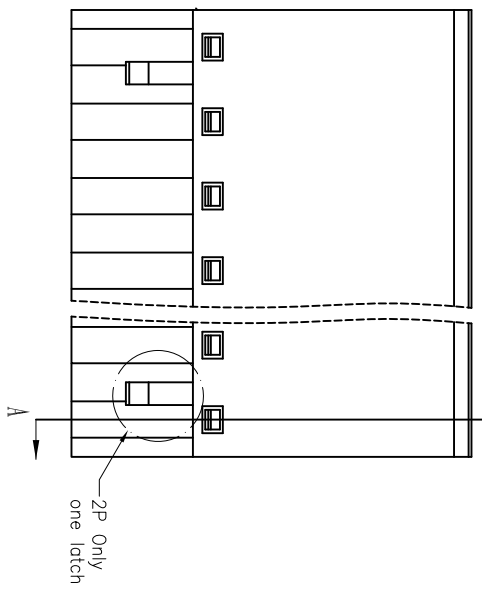
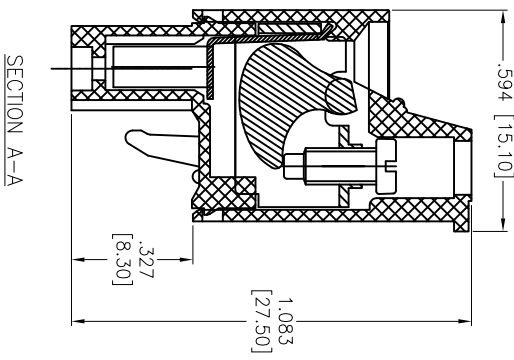
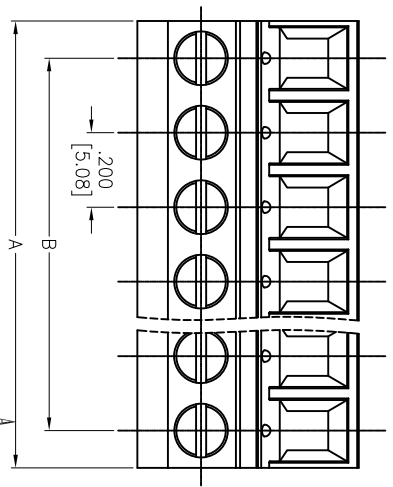
3

2

1

APPROVED: _____

DATE: _____ TITLE: _____



SPECIFICATIONS:

- Material: Insulator: PA66, rated UL 94V-0
- Insulator color: Black
- Screw: M2.5 Steel, Zinc plated
- Clamp: Phosphor Bronze, Nickel plated
- Cage: Steel, Zinc plated
- Slide Block: Steel, Zinc plated

- Electrical: Voltage rated: 300 VAC
- Current rated: 15 Amps
- Contact resistance: 20 mΩ
- Insulation resistance: 500 MΩ @ 500 VDC
- Withstanding voltage: 2,000 VAC for 1 minute
- Mechanical: Wire range: 28-14AWG, 1.5mm²
- Torque: 0.4N-m, 3.6lb-in
- Strip length: 7-8mm
- Temperature Rating: Operating temperature: -40°C to +105°C
- Environmental: Lead free, RoHS compliant.

Positions: 02 thru 24
 A = .200 [5.08] x No. of Positions
 B = .200 [5.08] x No. of Spoces

UNLESS OTHERWISE SPECIFIED
 ALL DIMENSIONS ARE INCHES [MM]
 TOLERANCES: EXCEPT AS NOTED

INCHES	HOLES
.X ± .10	ØXX ± .10
.XX ± .020	ØXXX ± .015
.XXX ± .015	ØXXXX ± .010

ADAM TECH
 909 Rahway Avenue, Union, NJ 07083
 Phone: 908-687-5000 Fax: 908-687-5710

TITLE: EURO TERMINAL BLOCK, .200 [5.08] PITCH

APPROVALS	DATE	SIZE	PART NO.	REV.
DRAWN	HR		6/10/15	
CHECKED	NC	X	EB6A-XX-D-BK	
APPROVED		REF: S00067C	SCALE: NTS	SHEET 1 OF 1



6

5

4

3

2

1