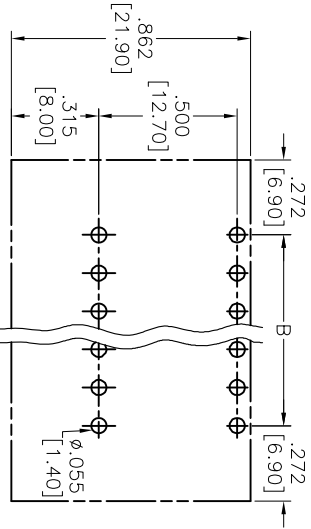
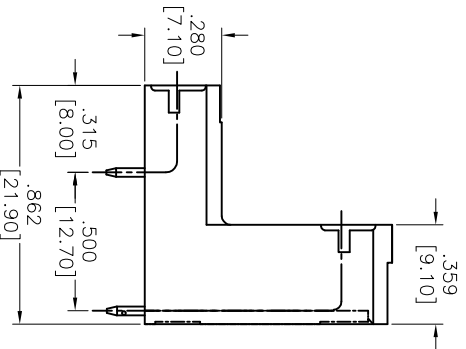
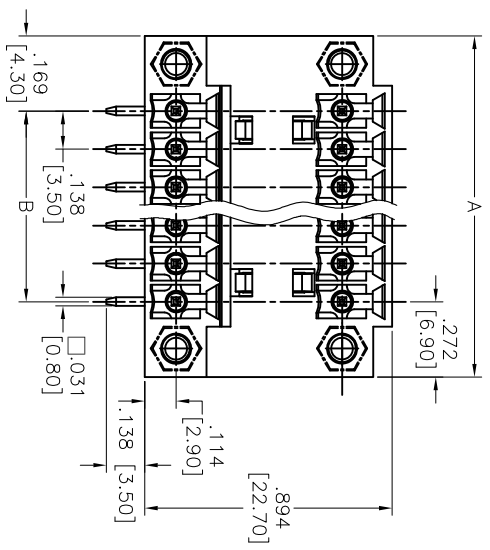


Rev	AWO #	Description	Date	Appr
-		RELEASED	11/03/11	

APPROVED: \_\_\_\_\_  
 DATE: \_\_\_\_\_ TITLE: \_\_\_\_\_



RECOMMENDED PCB LAYOUT

Positions: 4 thru 48  
 A = .138 [3.50] x No. of Spaces + .543 [13.80]  
 B = .138 [3.50] x No. of Spaces

	Tolerance
4-10P	±.006 [0.15]
12-20P	±.008 [0.20]
22-30P	±.010 [0.25]
32-40P	±.012 [0.30]
42-48P	±.014 [0.35]

**SPECIFICATIONS:**

Material: Thermoplastic, rated UL 94V-0  
 Insulator color: Green  
 Contact: Brass, Tin plated  
 With flange nut: Brass, M2.5  
 Electrical:  
 Operation voltage: 300 VAC  
 Current rating: 10 Amps  
 Withstanding Voltage: 1.6KV  
 Temperature Rating:  
 Operating temperature: -40°C to +115°C  
 Environmental:  
 Lead free, RoHS compliant.  
 Recommended soldering temp: 250°C for 5 sec.

**ADAM TECH**

909 Railway Avenue, Union, NJ 07083  
 Phone: 908-687-5000 Fax: 908-687-5710

TITLE: EURO BLOCK, 138 [3.50] PITCH, RIGHT ANGLE, WITH FLANGE

UNLESS OTHERWISE SPECIFIED ALL DIMENSIONS ARE INCHES [MM]	
TOLERANCES: EXCEPT AS NOTED	HOLE
.X ±.10	ØX ±.10
.XX ±.020	ØXX ±.015
.XXX ±.015	ØXXX ±.010
APPROVALS	DATE
DRAWN TW	11/03/11
CHECKED AY	11/03/11
APPROVED	

REF: S00007T	SCALE: NTS	SHEET 1 OF 1
SIZE X	PART NO. EB8-XX-A-E	REV. -

