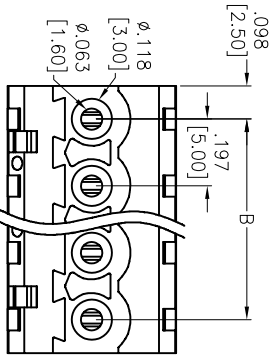
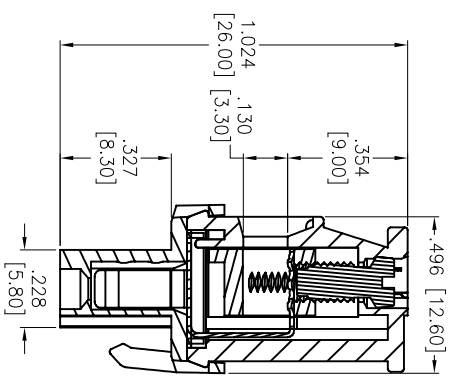
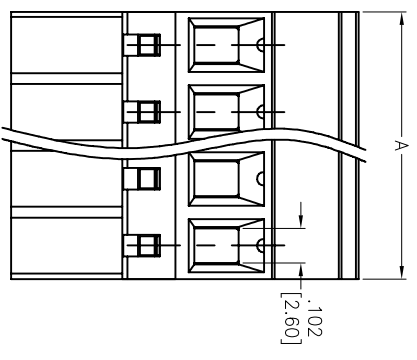
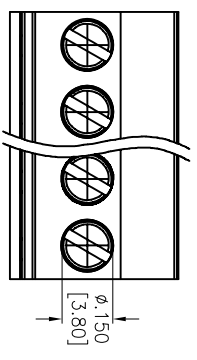


Rev	AWO #	Description	Date	Appr
-		RELEASED	05/22/12	

APPROVED: _____
 DATE: _____ TITLE: _____



Positions: 02 thru 24
 A = .197 [5.00] x No. of Positions
 B = .197 [5.00] x No. of Spaces

	Tolerance
2-6P	±.006 [0.15]
7-12P	±.010 [0.25]
13-18P	±.012 [0.30]
19-24P	±.016 [0.40]

SPECIFICATIONS:
Material:
 Insulator: Thermoplastic, rated UL 94V-0
 Insulator color: Black
 Clamp: Brass, Nickel plated
 Contact: Phosphor Bronze, Tin plated
 Screw: Steel, M3/Zn plated
Electrical:
 Operation voltage: 300 VAC
 Current rating: 15 Amps
 Withstanding Voltage: 1.6KV
Mechanical:
 Wire range(mm²): 2.5
 Solid wire(AWG): 12-24
 Stranded wire(AWG): 12-24
 Torque(lb-in): 3.5
 Wire strip length(mm): 6-7
 Temperature Rating:
 Operating temperature: -40°C to +115°C
Environmental:
 Lead free, RoHS compliant.



ADAM TECH

909 Rahway Avenue, Union, NJ 07083
 Phone: 908-687-5000 Fax: 908-687-5710

EURO BLOCK, .197 [5.00] PITCH, BLACK

UNLESS OTHERWISE SPECIFIED ALL DIMENSIONS ARE INCHES [MM] TOLERANCES EXCEPT AS NOTED INCHES		HOLE SIZE		DATE	
.X	± .10	Ø.X	± .10		
.XX	± .020	Ø.XX	± .015		
.XXX	± .015	Ø.XXX	± .010		
APPROVALS		DATE		TITLE	
DRAWN	TW	05/22/12		EURO BLOCK, .197 [5.00] PITCH, BLACK	
CHECKED	AY	05/22/12		SIZE	PART NO.
APPROVED				X	EB9-XX-C-R-BK
REF: S00007T		SCALE: NTS	SHEET 1 OF 1	REV.	-