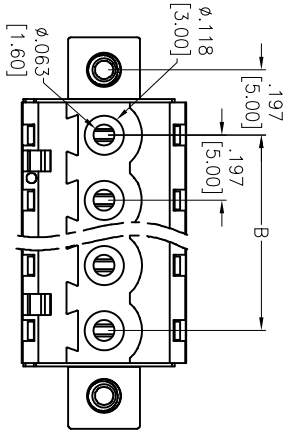
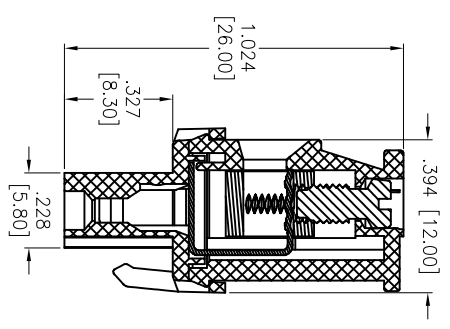
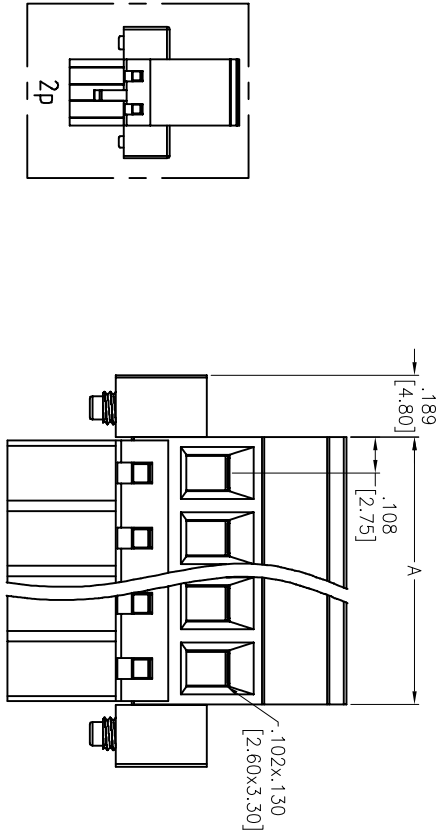
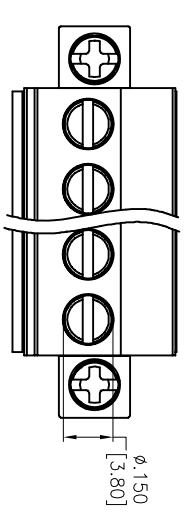


Rev	AWO #	Description	Date	Appr
-		RELEASED	05/22/12	

APPROVED: _____
 DATE: _____ TITLE: _____



Positions: 02 thru 24
 A = .197 [5.00] x No. of Positions
 B = .197 [5.00] x No. of Spaces

2-6P	±.006 [0.15]
7-12P	±.010 [0.25]
13-18P	±.012 [0.30]
19-24P	±.016 [0.40]

SPECIFICATIONS:

Material:
 Insulator: Thermoplastic, rated UL 94V-0
 Insulator color: Black
 Clamp: Brass, Nickel plated
 Contact: Phosphor Bronze, Tin plated
 Screw: Steel, M3/Zn plated
 With Flange Screw: Steel, M2.5/Zn plated

Electrical:
 Operation voltage: 300 VAC
 Current rating: 15 Amps
 Withstanding Voltage: 1.6KV

Mechanical:
 Wire range(mm²): 2-5
 Solid wire(AWG): 12-24
 Stranded wire(AWG): 12-24
 Torque(lb-in): 3.5
 Wire strip length(mm): 6-7
 Temperature Rating:
 Operating temperature: -40°C to +115°C
 Environmental:
 Lead free, RoHS compliant.

ADAM TECH

909 Rahway Avenue, Union, NJ 07083
 Phone: 908-687-5000 Fax: 908-687-5710

EURO BLOCK, .197 [5.00] PITCH, BLACK
 WITH FLANGE

UNLESS OTHERWISE SPECIFIED ALL DIMENSIONS ARE INCHES [MM]	
TOLERANCES EXCEPT AS NOTED	HOLE
.X ±.10	Ø.X
.XX ±.020	Ø.XXX
.XXX ±.015	Ø.XXX
.XXX ±.010	±.010
APPROVALS	DATE
DRAWN TW	05/22/12
CHECKED AY	05/22/12
APPROVED	

REF: S00007T	SCALE: NTS	SHEET 1 OF 1
SIZE X	PART NO. EB9-XX-C-R-E-BK	REV. -

