

6

5

4

3

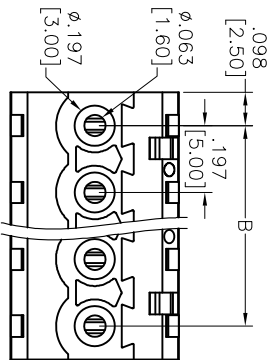
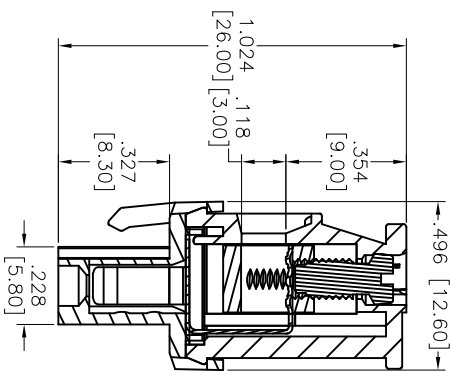
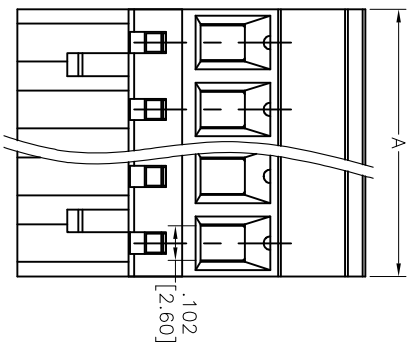
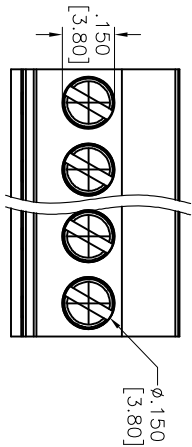
2

1

APPROVED: _____

DATE: _____ TITLE: _____

Rev	AWO #	Description	Date	Appr
-		RELEASED	7/20/09	
A		REVISED SHAPE	9/26/11	



Positions: 2 thru 24
 A = .197 [5.00] x No. of Positions
 B = .197 [5.00] x No. of Spaces

Part No.	Tolerance
2-6P	±.006 [0.15]
7-12P	±.010 [0.25]
13-18P	±.012 [0.30]
19-24P	±.016 [0.40]

SPECIFICATIONS:

- Material: Insulator: Thermoplastic, rated UL 94V-0
- Insulator color: Green
- Clamp: Brass, Nickel plated
- Contact: Phosphor Bronze, Tin plated
- Screw: Steel, M3/Zn plated
- Electrical: Operation voltage: 300 VAC
- Current rating: 8 Amps
- Withstanding Voltage: 1.6KV
- Mechanical: Wire range(mm²): 2.5
- Solid wire (AWG): 16-28
- Stranded wire (AWG): 16-28
- Torque(lb-in): 3.5
- Temperature Ratings: Operating temperature: -40°C to +115°C
- Environmental: Lead free, RoHS compliant.
- Recommended soldering temp: 250°C for 5 sec.



ADAM TECH

909 Railway Avenue, Union, NJ 07083
 Phone: 908-687-5000 Fax: 908-687-5710

EURO BLOCK, .197 [5.00] PITCH

UNLESS OTHERWISE SPECIFIED		TOLERANCES ARE MM [INCHES]	
.X	±.10	ØXX	±.10
.XX	±.020	ØXXX	±.015
.XXX	±.015	ØXXXX	±.010
APPROVALS		DATE	
DRAWN	DY	7/20/09	
CHECKED			
APPROVED			

SIZE	PART NO.	REV.
X	EB9-XX-C	A
REF:	S00007T	SHEET 1 OF 1
SCALE:	NTS	

A

B

C

D

A

B

C

D

6

5

4

3

2

1