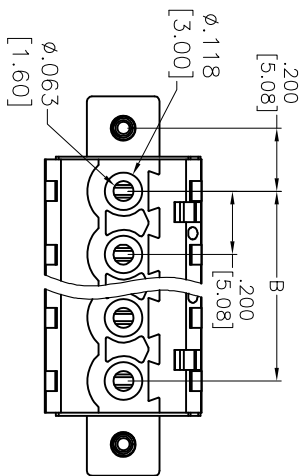
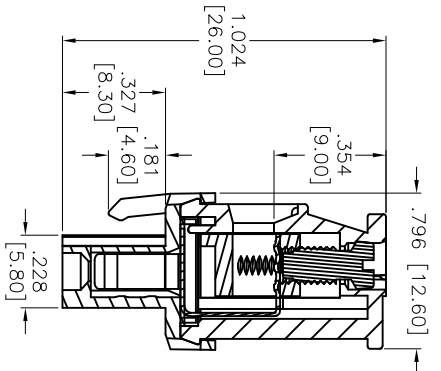
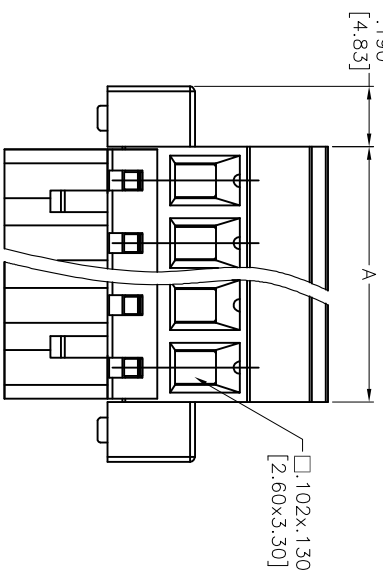
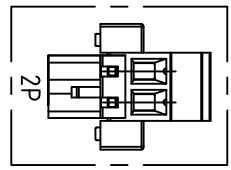
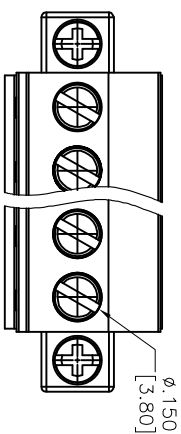


Rev	AWO #	Description	Date	Appr
-		RELEASED	4/11/13	

APPROVED: _____
 DATE: _____ TITLE: _____



Positions: 2 thru 24
 A = .200 [5.08] x No. of Positions
 B = .200 [5.08] x No. of Spaces

Positions	Tolerance
2-6P	±.006 [0.12]
7-12P	±.010 [0.25]
13-18	±.012 [0.30]
19-24P	±.016 [0.40]

SPECIFICATIONS:

Material:
 Insulator: Thermoplastic, rated UL 94V-0
 Insulator color: Green
 Clamp: Brass, Nickel plated
 Contact: Phosphor Bronze, Tin plated
 Screw: Steel, M3/Zn plated
 With flange screw: Steel, M2.5/Zn plated

Electrical:
 Operation voltage: 300 VAC
 Current rating: 15 Amps
 Withstanding Voltage: 1.6KV

Mechanical:
 Wire range(mm²): 0.34-2.5
 Solid wire(AWG): 12-24
 Stranded wire(AWG): 12-24
 Torque(lb-in): 3.5
 Wire strip length(mm): 6-7
 Temperature Rating:
 Operating temperature: -40°C to +115°C

Environmental:
 Lead free, RoHS compliant.

ADAM TECH

909 Rahway Avenue, Union, NJ 07083
 Phone: 908-687-5000 Fax: 908-687-5710

TITLE: EURO BLOCK, 200 [5.08] PITCH, GREEN, W/FLANGE W/LATCHING HOOKS ON THE WIRE ENTER SIDE

UNLESS OTHERWISE SPECIFIED ALL DIMENSIONS ARE INCHES [MM]		TOLERANCES EXCEPT AS NOTED	
INCHES	MM	HOLE	DATE
.X ± .10	ØX ± .10	±.10	
.XX ± .020	ØXX ± .015	±.015	
.XXX ± .015	ØXXX ± .010	±.010	

APPROVALS	DATE
DRAWN AY	4/11/13
CHECKED AH	4/11/13
APPROVED	

SIZE	PART NO.	REV.
X	EB9-XX-D-E	-

REF: S00007T SCALE: NTS SHEET 1 OF 1

