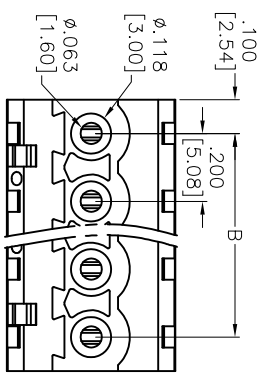
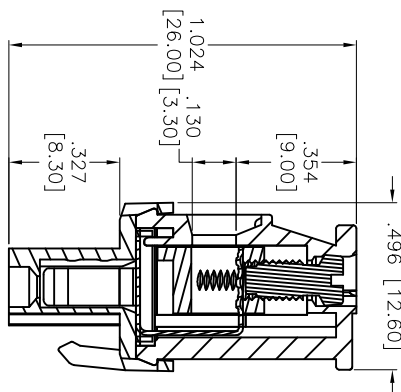
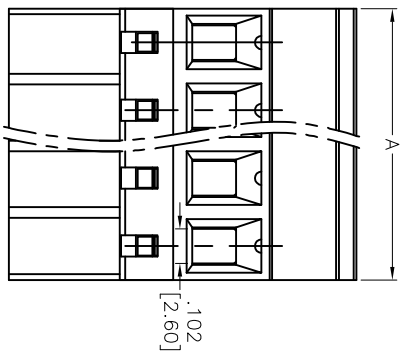
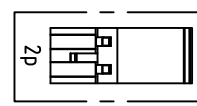
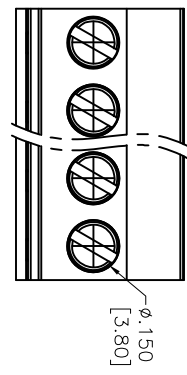


Rev	AWO #	Description	Date	Appr
-		RELEASED	11/07/11	

APPROVED: \_\_\_\_\_  
 DATE: \_\_\_\_\_ TITLE: \_\_\_\_\_



Positions: 2 thru 24  
 A = .200 [5.08] x No. of Positions  
 B = .200 [5.08] x No. of Spaces

Positions	Tolerance
2-6P	±.006 [0.12]
7-12P	±.010 [0.25]
13-18	±.012 [0.30]
19-24P	±.016 [0.40]

**SPECIFICATIONS:**

**Material:**  
 Insulator: Thermoplastic, rated UL 94V-0  
 Insulator color: Black  
 Clamp: Brass, Nickel plated  
 Contact: Phosphor Bronze, Tin plated  
 Screw: Steel, M3/Zn plated

**Electrical:**  
 Operation voltage: 300 VAC  
 Current rating: 15 Amps  
 Withstanding Voltage: 1.6KV

**Mechanical:**  
 Wire range(mm<sup>2</sup>): 0.34-2.5  
 Solid wire(AWG): 12-24  
 Stranded wire(AWG): 12-24  
 Torque(Lb-in): 3.5  
 Wire strip length(mm): 6-7

**Environmental:**  
 Operating temperature: -40°C to +115°C  
 Lead free, RoHS compliant.  
 Recommended soldering temp: 250°C for 5 sec.



UNLESS OTHERWISE SPECIFIED	
ALL DIMENSIONS ARE IN INCHES [MM]	
TOLERANCES	EXCEPT AS NOTED
INCHES	HOLE
.X ± .10	ØX ± .10
.XX ± .020	ØXX ± .015
.XXX ± .015	ØXXX ± .010

**ADAM TECH**  
 909 Rahway Avenue, Union, NJ 07083  
 Phone: 908-687-5000 Fax: 908-687-5710

**TITLE**  
 EURO BLOCK, 200 [5.08] PITCH, BLACK  
 W/LATCHING HOOKS ON THE WIRE ENTER SIDE

**Part Information:**  
 SIZE: X PART NO.: EB9-XX-D-R-BK  
 REF: S00007T SCALE: NTS SHEET 1 OF 1

APPROVALS	DATE
DRAWN TW	11/07/11
CHECKED AY	11/07/11
APPROVED	