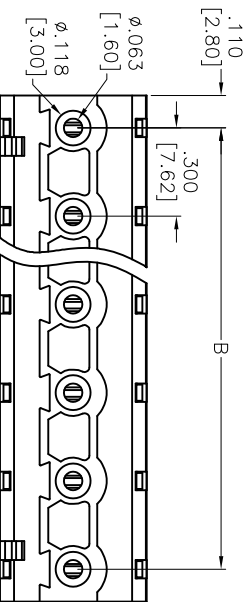
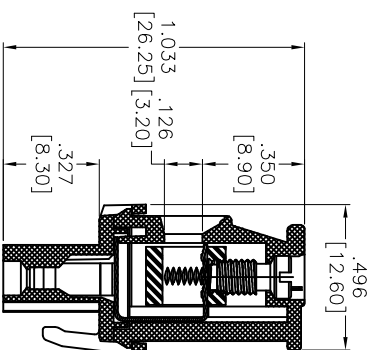
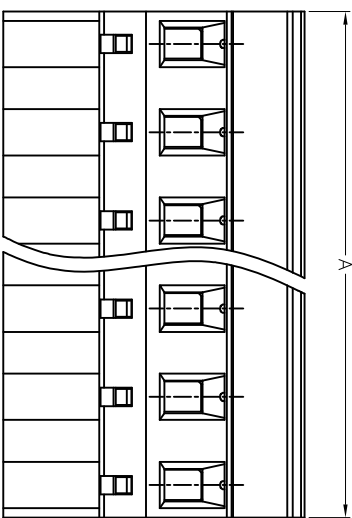
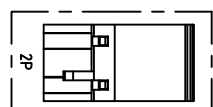
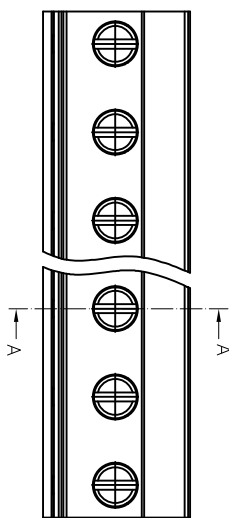


Rev	AWO #	Description	Date	Appr
-		RELEASED	12/13/11	

APPROVED: _____ TITLE: _____
 DATE: _____



Positions: 2 thru 16
 A = .300 [7.62] x No. of Spaces + .220 [5.60]
 B = .300 [7.62] x No. of Spaces

Part No.	Tolerance
2-6P	±.008 [0.20]
7-11P	±.012 [0.30]
12-16P	±.016 [0.40]

SPECIFICATIONS:
 Material: Insulator: PA66, rated UL 94V-0
 Insulator color: Black
 Clamp: Brass, Nickel plated
 Contact: Phosphor Bronze, Tin plated
 Screw: Steel, M3/Zn plated

Electrical:
 Operation voltage: 300 VAC
 Current rating: 15 Amps
 Withstanding Voltage: 1.6KV

Mechanical:
 Wire range(mm²): 0.2~2.5
 Solid wire(AWG): 12-24
 Stranded wire(AWG): 12-24
 Torque(Lb-In): 3.5
 Wire strip length(mm): 6-7
 Temperature Rating:
 Operating temperature: -40°C to +115°C
 Environmental:
 Lead free, RoHS compliant.



ADAM TECH

909 Railway Avenue, Union, NJ 07083
 Phone: 908-687-5000 Fax: 908-687-5710

TITLE
 EURO BLOCK, 300 [7.62] PITCH, BLACK
 HOOKS ON BACK SIDE

UNLESS OTHERWISE SPECIFIED ALL DIMENSIONS ARE INCHES [MM] TOLERANCES EXCEPT AS NOTED INCHES		HOLE SIZES	
.X	± .10	ØX	± .10
.XX	± .020	ØXX	± .015
.XXX	± .015	ØXXX	± .010
APPROVALS			
DRAWN	TW	DATE	
CHECKED	AY	12/13/11	
APPROVED			

REF: S00007T	SCALE: NTS	SHEET 1 OF 1
SIZE X	PART NO. EB9-XX-G-R-BK	REV. -