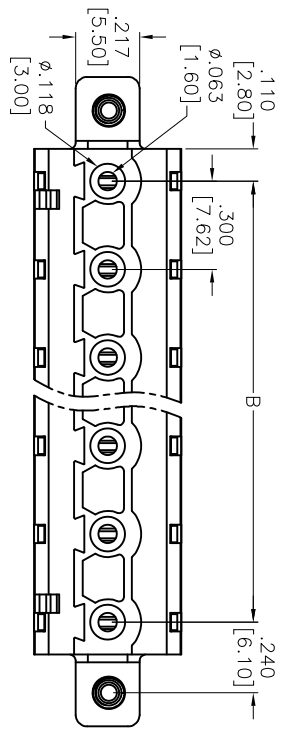
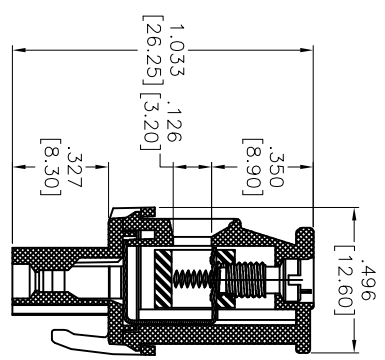
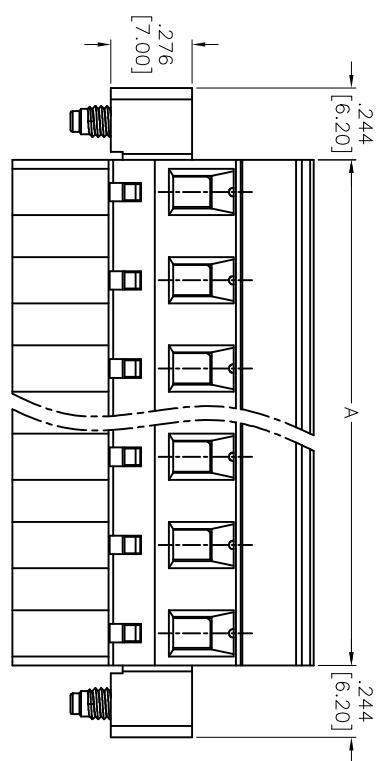
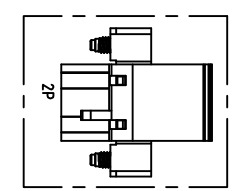
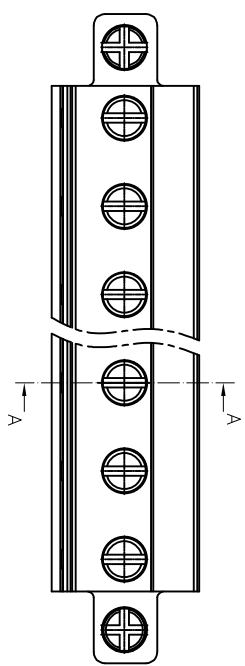


Rev	AWO #	Description	Date	Appr
-		RELEASED	12/13/11	

APPROVED: \_\_\_\_\_ TITLE: \_\_\_\_\_  
 DATE: \_\_\_\_\_



Positions: 2 thru 16  
 A = .300 [7.62] x No. of Spaces + .220 [5.60]  
 B = .300 [7.62] x No. of Spaces

2-6P	±.008 [0.20]
7-11P	±.012 [0.30]
12-16P	±.016 [0.40]

**SPECIFICATIONS:**

**Material:**  
 Insulator: Thermoplastic, rated UL 94V-0  
 Insulator color: Black  
 Clamp: Brass, Nickel plated  
 Contact: Phosphor Bronze, Tin plated  
 Screw: Steel, M3/Zn plated  
 With flange Screw: Steel, M2.5/Zn plated

**Electrical:**  
 Operation voltage: 300 VAC  
 Current rating: 15 Amps  
 Withstanding Voltage: 1.6KV

**Mechanical:**  
 Wire range(mm<sup>2</sup>): 0.2~2.5  
 Solid wire(AWG): 12-24  
 Stranded wire(AWG): 12-24  
 Torque(lb-in): 3.5  
 Wire strip length(mm): 6-7  
 Temperature Rating:  
 Operating temperature: -40°C to +115°C  
 Environmental:  
 Lead free, RoHS compliant.

**ADAM TECH**

909 Railway Avenue, Union, NJ 07083  
 Phone: 908-687-5000 Fax: 908-687-5710

EURO BLOCK, .300 [7.62] PITCH, BLACK  
 HOOKS ON BACK SIDE, WITH FLANGE

UNLESS OTHERWISE SPECIFIED ALL DIMENSIONS ARE INCHES [MM]	
TOLERANCES EXCEPT AS NOTED	HOLE
.X ±.10	ØX ±.10
.XX ±.020	ØXX ±.015
.XXX ±.015	ØXXX ±.010
APPROVALS	DATE
DRAWN TW	12/13/11
CHECKED AY	12/13/11
APPROVED	

REF: S00007T	SCALE: NTS	SHEET 1 OF 1
SIZE X	PART NO. EB9-XX-G-R-E-BK	REV. -

