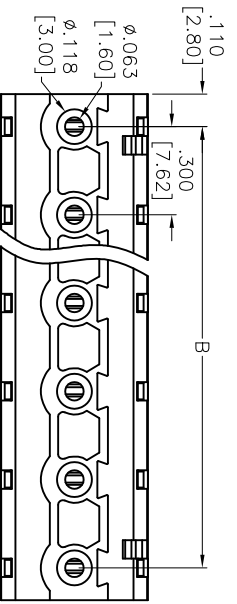
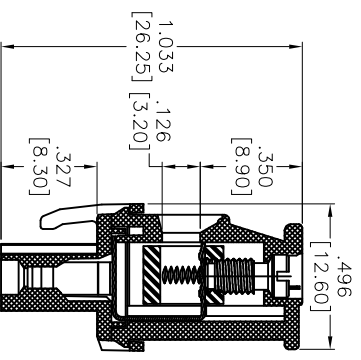
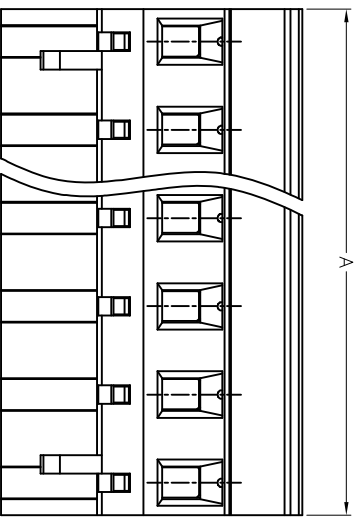
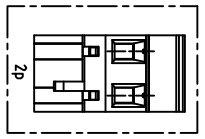
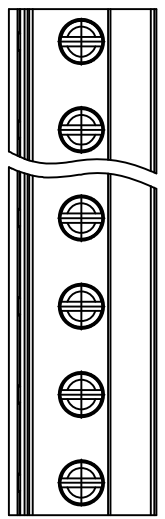


Rev	AWO #	Description	Date	Appr
-		RELEASED	09/17/12	

APPROVED: \_\_\_\_\_  
 DATE: \_\_\_\_\_ TITLE: \_\_\_\_\_



Positions: 2 thru 16  
 A = .300 [7.62] x No. of Spaces + .200 [5.60]  
 B = .300 [7.62] x No. of Spaces

2-6P	±.008 [0.20]
7-11P	±.012 [0.30]
12-16P	±.016 [0.40]

# ADAM TECH

909 Railway Avenue, Union, NJ 07083  
 Phone: 908-687-5000 Fax: 908-687-5710

EURO BLOCK, .300 [7.62] PITCH  
 HOOKS ON ENTRY SIDE

**SPECIFICATIONS:**  
 Material: Insulator: Thermoplastic, rated UL 94V-0  
 Insulator color: Green  
 Clamp: Brass, Nickel plated  
 Contact: Phosphor Bronze, Tin plated  
 Screw: Steel, M3/Zn plated

**Electrical:**  
 Operation voltage: 300 VAC  
 Current rating: 15 Amps  
 Withstanding Voltage: 1.6KV

**Mechanical:**  
 Wire range(mm<sup>2</sup>): 0.2~2.5  
 Solid wire(AWG): 12-24  
 Stranded wire(AWG): 12-24  
 Torque(Lb-In): 3.5  
 Wire strip length(mm): 6-7  
 Temperature Rating:  
 Operating temperature: -40°C to +115°C  
 Environmental:  
 Lead free, RoHS compliant.



UNLESS OTHERWISE SPECIFIED ALL DIMENSIONS ARE IN INCHES [MM]	
TOLERANCES: EXCEPT AS NOTED	HOLE SIZES
.X ± .10	ØX ± .10
.XX ± .020	ØXXX ± .015
.XXX ± .015	ØXXX ± .010
APPROVALS	DATE
DRAWN TW	09/17/12
CHECKED AY	09/17/12
APPROVED	

REF: S00007T	SCALE: NTS	SHEET 1 OF 1
SIZE X	PART NO. EB9-XX-G	REV. -