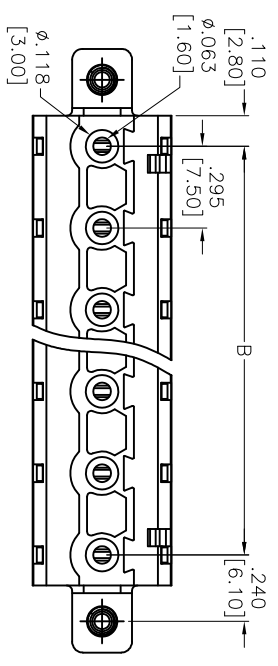
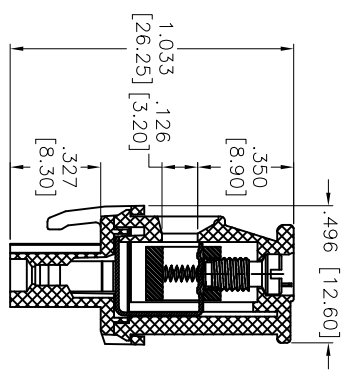
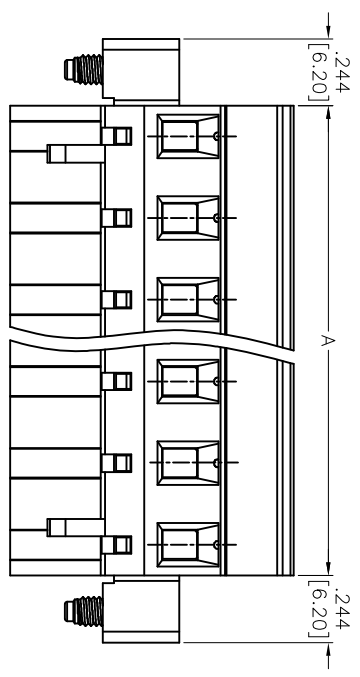
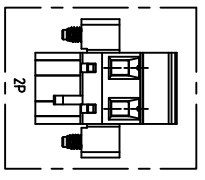
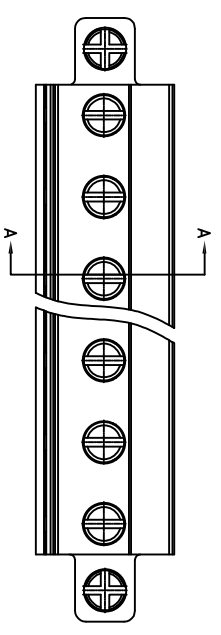


Rev	AWO #	Description	Date	Appr
-		RELEASED	11/25/11	

APPROVED: _____
 DATE: _____ TITLE: _____



Positions: 2 thru 16
 A = .295 [7.50] x No. of Spaces + .200 [5.60]
 B = .295 [7.50] x No. of Spaces

2-6P	±.008 [0.20]	Tolerance
7-11P	±.012 [0.30]	
12-16P	±.016 [0.40]	

SPECIFICATIONS:

Material:
 Insulator: Thermoplastic, rated UL 94V-0
 Insulator color: Black
 Clamp: Brass, Nickel plated
 Contact: Phosphor Bronze, Tin plated
 Screw: Steel, M3/Zn plated
 With Flange Screw: Steel, M2.5/Zn plated
Electrical:
 Operation voltage: 300 VAC
 Current rating: 15 Amps
 Withstanding Voltage: 1.6KV
Mechanical:
 Wire range(mm²): 0.2~2.5
 Solid wire(AWG): 12-24
 Stranded wire(AWG): 12-24
 Torque(lb-in): 3.5
 Wire strip length(mm): 6-7
 Temperature Rating:
 Operating temperature: -40°C to +115°C

ADAM TECH

909 Railway Avenue, Union, NJ 07083
 Phone: 908-687-5000 Fax: 908-687-5710

**EURO BLOCK, .295 [7.50] PITCH, BLACK
 HOOKS ON ENTRY SIDE, WITH FLANGE**

UNLESS OTHERWISE SPECIFIED ALL DIMENSIONS ARE INCHES [MM]	
TOLERANCES: EXCEPT AS NOTED	HOLE
.X ±.10	ØXX ±.10
.XX ±.020	ØXXX ±.015
.XXX ±.015	ØXXX ±.010
APPROVALS	DATE
DRAWN TW	11/25/11
CHECKED AY	11/25/11
APPROVED	

REF: S00007T	SCALE: NTS	SHEET 1 OF 1
SIZE X	PART NO. EB9-XX-M-E-BK	REV.



6 5 4 3 2 1