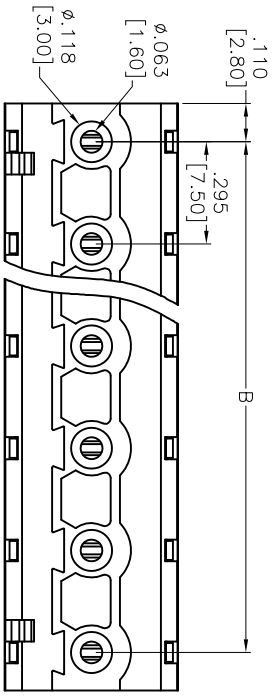
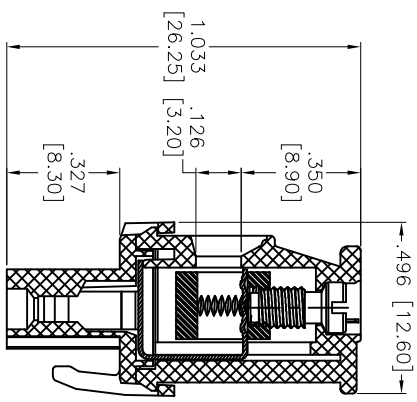
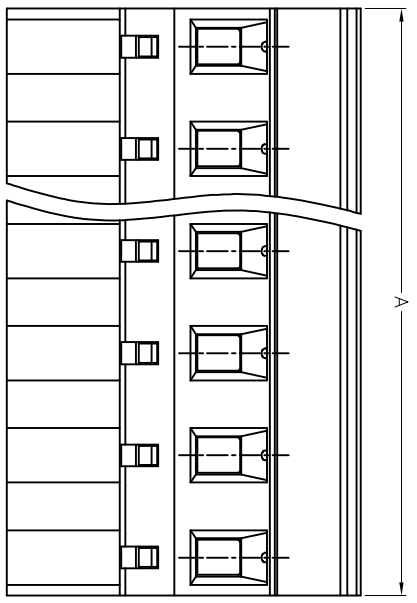
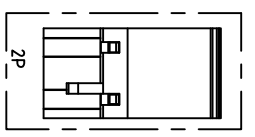
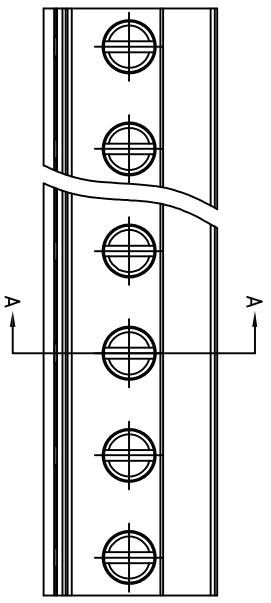


Rev	AWO #	Description	Date	Appr
-		RELEASED	11/25/11	

APPROVED: _____ TITLE: _____
 DATE: _____



Positions: 2 thru 16
 A = .295 [7.50] x No. of Spaces + .200 [5.60]
 B = .295 [7.50] x No. of Spaces

Part No.	Tolerance
2-6P	±.008 [0.20]
7-11P	±.012 [0.30]
12-16P	±.016 [0.40]

SPECIFICATIONS:

- Material: Insulator: Thermoplastic, rated UL 94V-0
- Insulator color: Black
- Clamp: Brass, Nickel plated
- Contact: Phosphor Bronze, Tin plated
- Screw: Steel, M3/Zn plated
- Electrical: Operation voltage: 300 VAC
- Current rating: 15 Amps
- Withstanding Voltage: 1.6KV
- Mechanical: Wire range(mm²): 0.2~2.5
- Solid wire(AWG): 12-24
- Stranded wire(AWG): 12-24
- Torque(lb-in): 3.5
- Wire strip length(mm): 6-7
- Temperature Rating: Operating temperature: -40°C to +115°C



ADAM TECH

909 Railway Avenue, Union, NJ 07083
 Phone: 908-687-5000 Fax: 908-687-5710

EURO BLOCK, 295 [7.50] PITCH, BLACK
 HOOKS ON BACK SIDE

UNLESS OTHERWISE SPECIFIED ALL DIMENSIONS ARE INCHES [MM]		TOLERANCES EXCEPT AS NOTED INCHES		HOLE SIZES		DATE	
.X	± .10	ØXX	± .10	ØXX	± .10		
.XX	± .020	ØXXX	± .015	ØXXX	± .015		
.XXX	± .015	ØXXX	± .010	ØXXX	± .010		
APPROVALS		DRAWN		CHECKED		APPROVED	
TW		TW		AY			
11/25/11		11/25/11		11/25/11			
TITLE		SIZE		PART NO.		REV.	
EURO BLOCK, 295 [7.50] PITCH, BLACK		X		EB9-XX-M-R-BK			
Phone: 908-687-5000		REF: S00007T		SCALE: NTS		SHEET 1 OF 1	