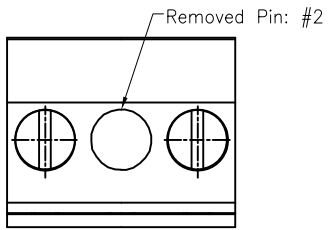
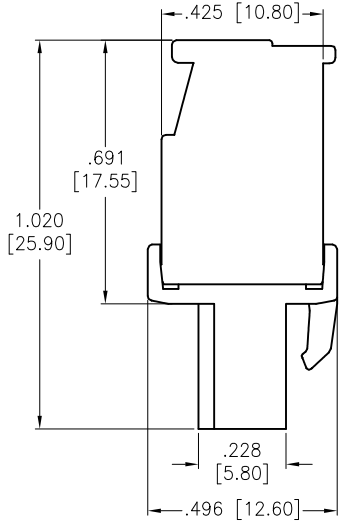
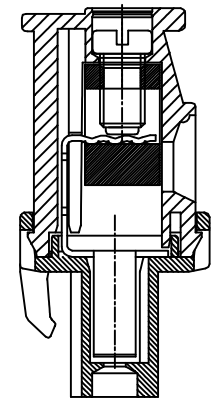
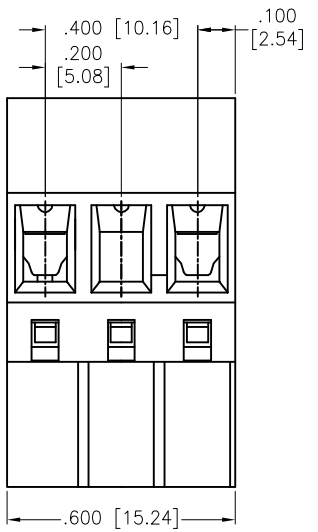
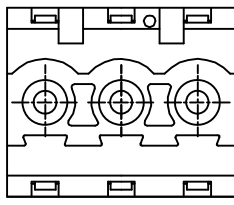


APPROVED: _____
 DATE: _____ TITLE: _____

Rev	AWO #	Description	Date	Appr
-		RELEASED	04/29/13	



SPECIFICATIONS:
 Material:
 Insulator: PA66, rated UL 94V-0
 Insulator color: Green
 Terminal: Brass, Nickel plated
 Contact: Phosphor Bronze, Tin plated
 Electrical:
 Voltage rated: 300 VAC
 Current rating: 15 Amps
 Withstanding Voltage: 2000VAC / 1min.
 Mechanical:
 Wire range(mm²): 2.5
 Clamp Torque(Nm): 0.4
 Temperature Rating:
 Operating temperature: -40°C to +115°C
 Environmental:
 Lead free, RoHS compliant.



UNLESS OTHERWISE SPECIFIED ALL DIMENSIONS ARE INCHES [MM] TOLERANCES: EXCEPT AS NOTED			
INCHES		HOLES	
.X	± .10	Ø.X	± .10
.XX	± .020	Ø.XX	± .015
.XXX	± .015	Ø.XXX	± .010
APPROVALS		DATE	
DRAWN	TW	04/29/13	
CHECKED	SC	04/29/13	
APPROVED			

ADAM TECH			
909 Rahway Avenue, Union, NJ 07083 Phone: 908-687-5000 Fax: 908-687-5710			
TITLE: EURO BLOCK, .200 [5.08] PITCH, GREEN HOOKS ON BACK SIDE			
SIZE	PART NO.	REV.	
X	EB9A-03-D-R-X2	-	
REF:	S00026C	SCALE: NTS	SHEET 1 OF 1

6 5 4 3 2 1

6 5 4 3 2 1

D

D

C

C

B

B

A

A