

6

5

4

3

2

1

APPROVED: _____

DATE: _____ TITLE: _____

Rev	AWO #	Description	Date	Appr
-		RELEASED	9/9/15	

D

D

C

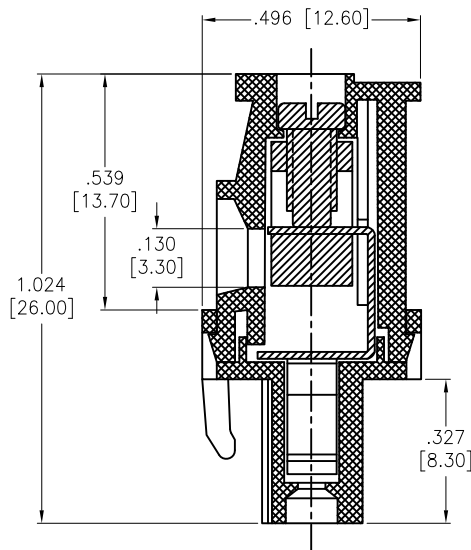
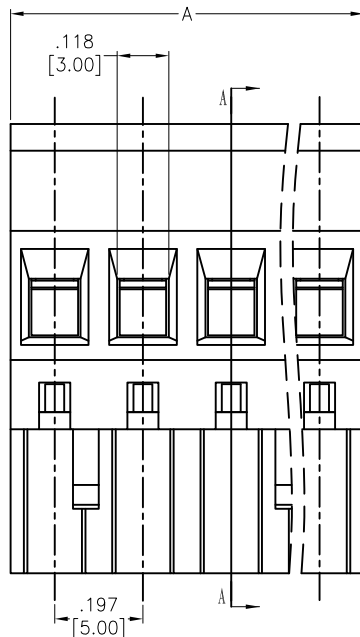
C

B

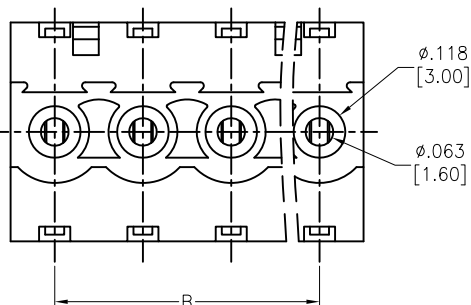
B

A

A



SECTION A-A



SPECIFICATIONS:

Material:
 Insulator: PA66, rated UL 94V-0
 Insulator color: Gray
 Wire guard: M3, Steel, Zinc plated
 Clamp: Brass, Nickel plated
 Wire guard: Phosphor Bronze, Nickel plated

Electrical:
 Voltage rated: 300 VAC
 Current rating: 15 Amps
 Contact resistance: 20 mohms max
 Insulation resistance: 500 Mohms min @ 500 VDC
 Dielectric withstanding voltage: 2,000 VAC for 1 minute

Wire range: 28-14AWG, 2.5mm²
 Torque: 0.5N-m, 4.5lb-in
 Wire strip length: 7-8mm
 Temperature Rating:
 Operating temperature: -40°C to +105°C
 Environmental:
 Lead free, RoHS compliant.



Positions: 2 thru 24

A = .197 [5.00] x No. of Positions

B = .197 [5.00] x No. of Spaces

UNLESS OTHERWISE SPECIFIED ALL DIMENSIONS ARE INCHES [MM] TOLERANCES: EXCEPT AS NOTED		ADAM TECH 909 Rahway Avenue, Union, NJ 07083 Phone: 908-687-5000 Fax: 908-687-5710		
INCHES HOLES				
.X ± .10	∅.X ± .10	TITLE EURO BLOCK, .197 [5.00] PITCH, GRAY COLOR		
.XX ± .020	∅.XX ± .015			
.XXX ± .015	∅.XXX ± .010			
APPROVALS		DATE		
DRAWN	HR	9/9/15		
CHECKED	RT	9/9/15		
APPROVED				
SIZE X	PART NO. EB9A-XX-C-GY	REF: S00067C	SCALE: NTS	REV. - SHEET 1 OF 1

6

5

4

3

2

1