

6

5

4

3

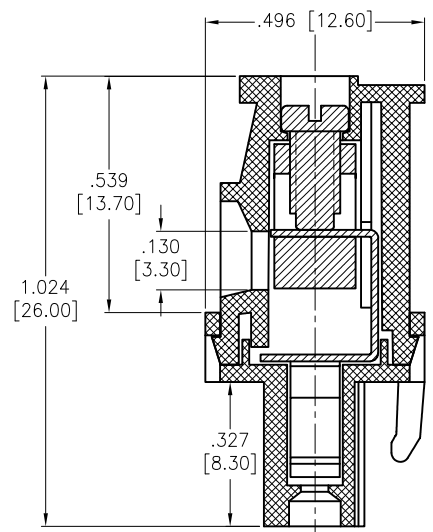
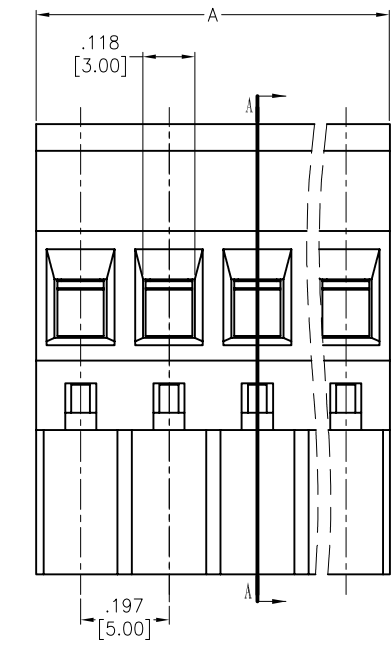
2

1

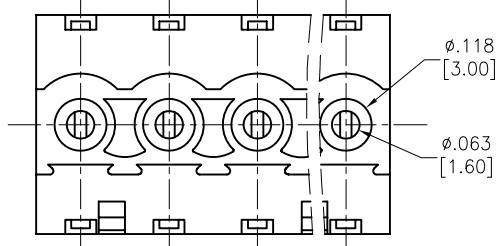
APPROVED: \_\_\_\_\_

DATE: \_\_\_\_\_ TITLE: \_\_\_\_\_

Rev	AWO #	Description	Date	Appr
-		RELEASED	9/9/15	



SECTION A-A



**SPECIFICATIONS:**

Material:  
 Insulator: PA66, rated UL 94V-0  
 Insulator color: Black  
 Wire guard: M3, Steel, Zinc plated  
 Clamp: Brass, Nickel plated  
 Wire guard: Phosphor Bronze, Nickel plated  
 Electrical:  
 Voltage rated: 300 VAC  
 Current rating: 15 Amps  
 Contact resistance: 20 mohms max  
 Insulation resistance: 500 Mohms min @ 500 VDC  
 Dielectric withstanding voltage: 2,000 VAC for 1 minute  
 Wire range: 28-14 AWG, 2.5mm<sup>2</sup>  
 Torque (lb-in): 4.5  
 Wire strip length: 7-8mm  
 Temperature Rating:  
 Operating temperature: -40°C to +105°C  
 Environmental:  
 Lead free, RoHS compliant.



Positions: 2 thru 24  
 A = .197 [5.00] x No. of Positions  
 B = .197 [5.00] x No. of Spaces

UNLESS OTHERWISE SPECIFIED ALL DIMENSIONS ARE INCHES [MM] TOLERANCES: EXCEPT AS NOTED		
INCHES HOLES		
.X ± .10	∅.X ± .10	
.XX ± .020	∅.XX ± .015	
.XXX ± .015	∅.XXX ± .010	
APPROVALS		DATE
DRAWN	HR	9/9/15
CHECKED	RT	9/9/15
APPROVED		

**ADAM TECH**  
 909 Rahway Avenue, Union, NJ 07083  
 Phone: 908-687-5000 Fax: 908-687-5710

TITLE: EURO BLOCK, .200 [5.00] PITCH  
 HOOKS ON BACK SIDE, BLACK COLOR

SIZE X	PART NO. EB9A-XX-C-R-BK	REV. -
REF: S00067C	SCALE: NTS	SHEET 1 OF 1

6

5

4

3

2

1