

6

5

4

3

2

1

APPROVED: _____

DATE: _____ TITLE: _____

Rev	AWO #	Description	Date	Appr
-		RELEASED	6/24/14	

D

D

C

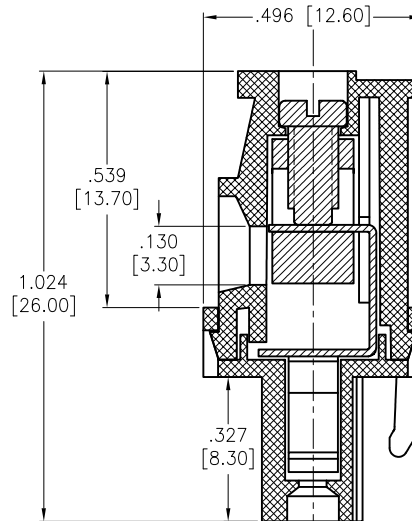
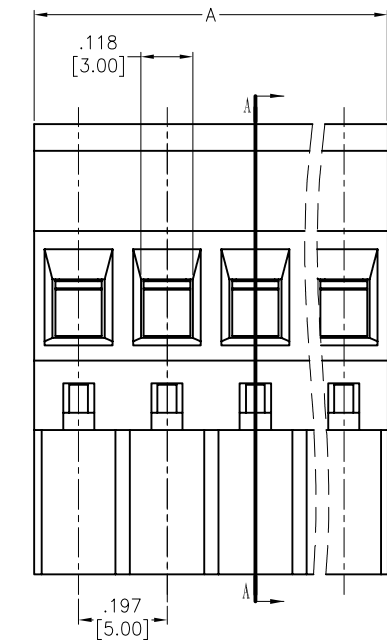
C

B

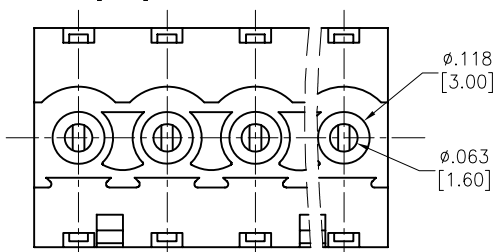
B

A

A



SECTION A-A



SPECIFICATIONS:

Material:
 Insulator: PA66, rated UL 94V-0
 Insulator color: Green
 Wire guard: M3, Steel, Zinc plated
 Clamp: Brass, Nickel plated
 Wire guard: Phosphor Bronze, Nickel plated

Electrical:
 Voltage rated: 300 VAC
 Current rating: 15 Amps
 Contact resistance: 20 mohms max
 Insulation resistance: 500 Mohms min @ 500 VDC
 Dielectric withstanding voltage: 2,000 VAC for 1 minute

Wire range: 28-14 AWG, 2.5mm²
 Torque (lb-in): 4.5
 Wire strip length: 7-8mm
 Temperature Rating:
 Operating temperature: -40°C to +105°C
 Environmental:
 Lead free, RoHS compliant.



Positions: 2 thru 24
 A = .197 [5.00] x No. of Positions
 B = .197 [5.00] x No. of Spaces

UNLESS OTHERWISE SPECIFIED ALL DIMENSIONS ARE INCHES [MM] TOLERANCES: EXCEPT AS NOTED			
INCHES		HOLES	
.X ± .10	Ø.X ± .10		
.XX ± .020	Ø.XX ± .015		
.XXX ± .015	Ø.XXX ± .010		

ADAM TECH

909 Rahway Avenue, Union, NJ 07083
 Phone: 908-687-5000 Fax: 908-687-5710

APPROVALS		DATE
DRAWN	AY	6/24/14
CHECKED	MW	6/24/14
APPROVED		

TITLE			
EURO BLOCK, .200 [5.00] PITCH, HOOKS ON BACK SIDE			
SIZE	PART NO.	REV.	
X	EB9A-XX-C-R	-	
REF:	S00067C	SCALE: NTS	SHEET 1 OF 1

6

5

4

3

2

1