

6

5

4

3

2

1

APPROVED: \_\_\_\_\_

DATE: \_\_\_\_\_ TITLE: \_\_\_\_\_

Rev	AWO #	Description	Date	Appr
-		RELEASED	9/18/14	

D

D

C

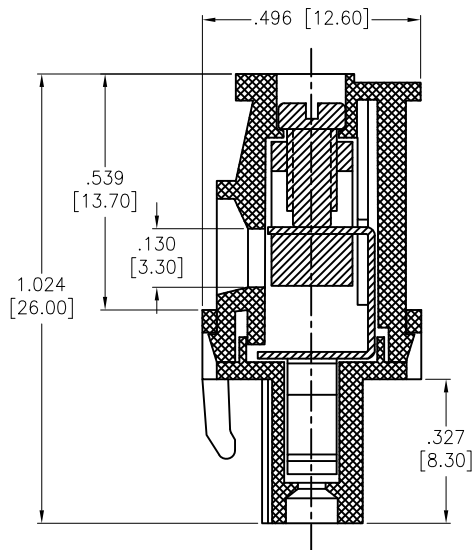
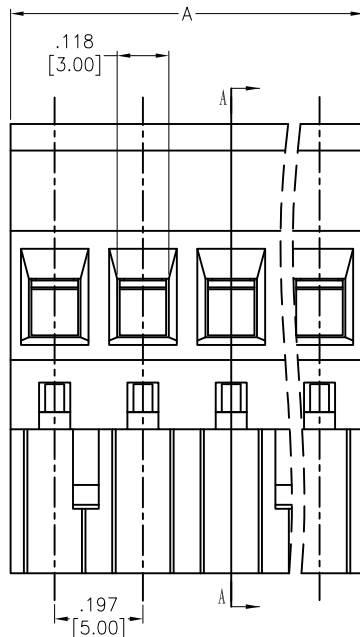
C

B

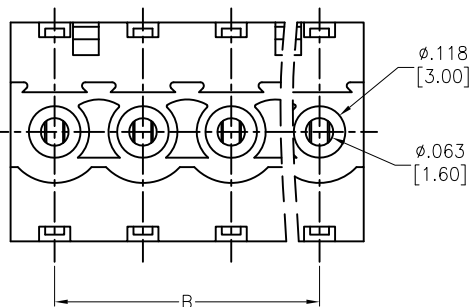
B

A

A



SECTION A-A



**SPECIFICATIONS:**

Material:  
 Insulator: PA66, rated UL 94V-0  
 Insulator color: Green  
 Wire guard: M3, Steel, Zinc plated  
 Clamp: Brass, Nickel plated  
 Wire guard: Phosphor Bronze, Nickel plated

Electrical:  
 Voltage rated: 300 VAC  
 Current rating: 15 Amps  
 Contact resistance: 20 mohms max  
 Insulation resistance: 500 Mohms min @ 500 VDC  
 Dielectric withstanding voltage: 2,000 VAC for 1 minute

Wire range: 28-14AWG, 2.5mm<sup>2</sup>  
 Torque: 0.5N-m, 4.5lb-in  
 Wire strip length: 7-8mm  
 Temperature Rating:  
 Operating temperature: -40°C to +105°C  
 Environmental:  
 Lead free, RoHS compliant.



Positions: 2 thru 24  
 A = .197 [5.00] x No. of Positions  
 B = .197 [5.00] x No. of Spaces

UNLESS OTHERWISE SPECIFIED ALL DIMENSIONS ARE INCHES [MM] TOLERANCES: EXCEPT AS NOTED		
INCHES		HOLES
.X ± .10	Ø.X ± .10	
.XX ± .020	Ø.XX ± .015	
.XXX ± .015	Ø.XXX ± .010	
APPROVALS		DATE
DRAWN	HR	9/18/14
CHECKED	SY	9/18/14
APPROVED		

# ADAM TECH

909 Rahway Avenue, Union, NJ 07083  
 Phone: 908-687-5000 Fax: 908-687-5710

TITLE		
EURO BLOCK, .197 [5.00] PITCH		
SIZE	PART NO.	REV.
X	EB9A-XX-C	-
REF: S00067C	SCALE: NTS	SHEET 1 OF 1

6

5

4

3

2

1