

6

5

4

3

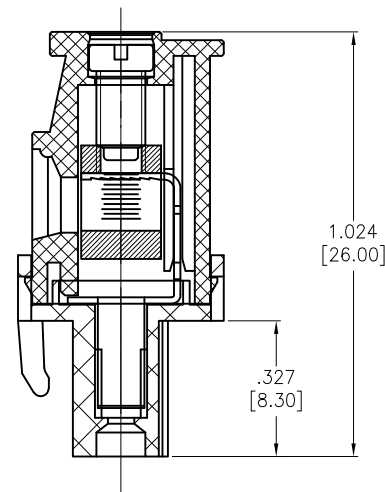
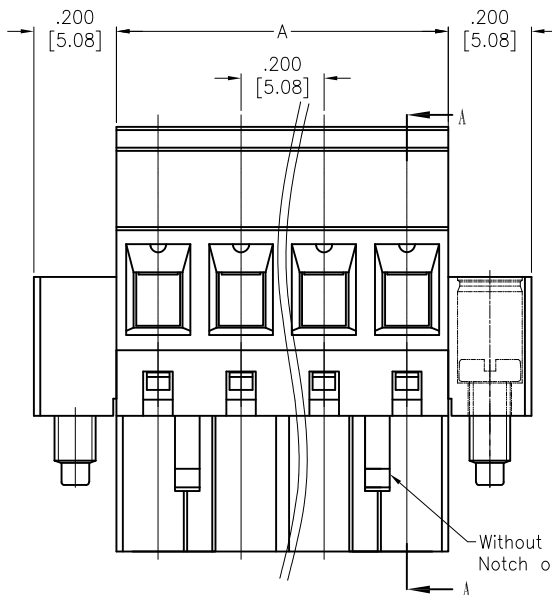
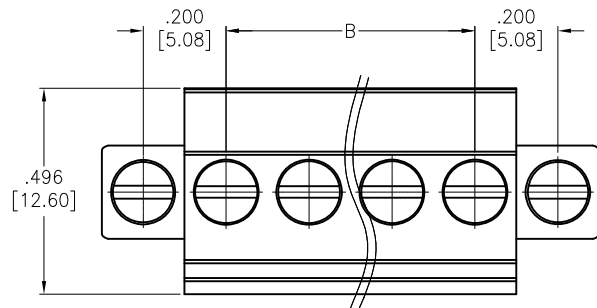
2

1

APPROVED: _____

DATE: _____ TITLE: _____

Rev	AWO #	Description	Date	Appr
-		RELEASED	11/24/14	



SECTION A-A

Positions: 02 thru 24

A = .200 [5.08] x No. of Positions

B = .200 [5.08] x No. of Spaces

SPECIFICATIONS:

Material:
 Insulator: PA66, rated UL 94V-0
 Insulator color: Green
 Wire guard: M3, Steel, Zinc plated
 Clamp: Phosphor Bronze, Nickel plated
 Cage: Brass, Nickel plated

Electrical:
 Voltage rated: 300 VAC
 Current rating: 15 Amps
 Contact resistance: 20 mohms max
 Insulation resistance: 500 Mohms min @ 500 VDC
 Dielectric withstanding voltage: 2,000 VAC for 1 minute
 Wire range: 28-14 AWG
 Torque: 0.5Nm, 4.5lb-in
 Wire strip length: 7-8mm
 Temperature Rating:
 Operating temperature: -40°C to +105°C
 Environmental:
 Lead free, RoHS compliant.



UNLESS OTHERWISE SPECIFIED ALL DIMENSIONS ARE INCHES [MM] TOLERANCES: EXCEPT AS NOTED			
INCHES		HOLES	
.X	± .10	Ø.X	± .10
.XX	± .020	Ø.XX	± .015
.XXX	± .015	Ø.XXX	± .010

ADAM TECH

909 Rahway Avenue, Union, NJ 07083
 Phone: 908-687-5000 Fax: 908-687-5710

TITLE: EURO BLOCK, .200 [5.08] PITCH, GREEN WITH FLANGE

APPROVALS		DATE
DRAWN	AY	11/24/14
CHECKED	YC	11/24/14
APPROVED		

SIZE	PART NO.	REV.
X	EB9A-XX-D-E	-
REF:	S00067C	SCALE: NTS SHEET 1 OF 1

6

5

4

3

2

1