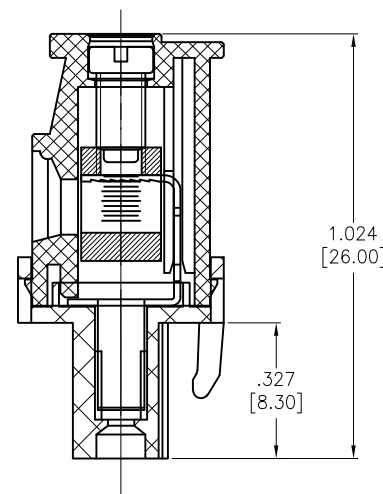
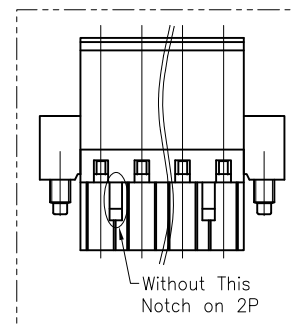
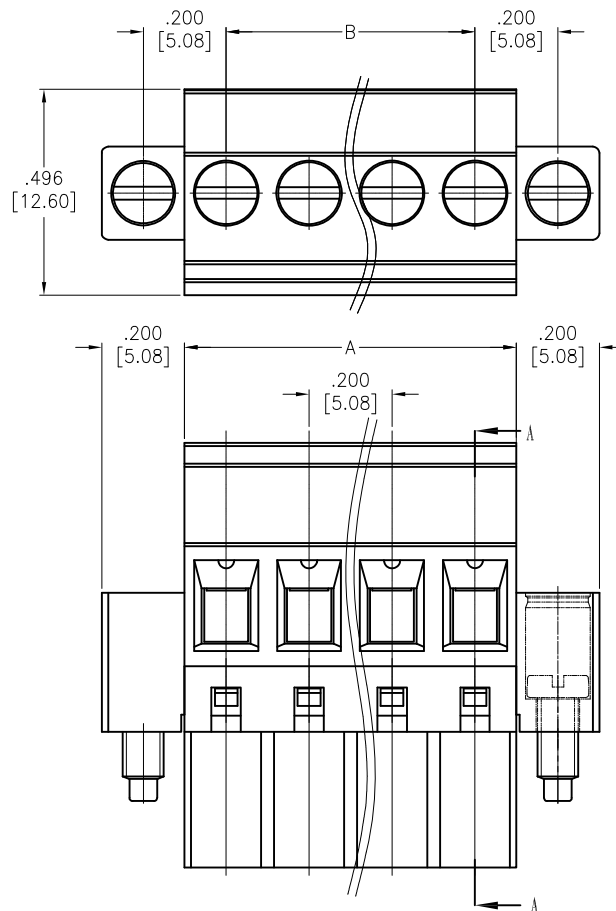


APPROVED: _____

DATE: _____ TITLE: _____

Rev	AWO #	Description	Date	Appr
-		RELEASED	11/11/14	
A		REVISED SPEC.	11/24/14	AY



SECTION A-A

Positions: 02 thru 24

A = .200 [5.08] x No. of Positions

B = .200 [5.08] x No. of Spaces

SPECIFICATIONS:

Material:

Insulator: PA66, rated UL 94V-0

Insulator color: Green

Wire guard: M3, Steel, Zinc plated

Clamp: Phosphor Bronze, Nickel plated

Cage: Brass, Nickel plated

Electrical:

Voltage rated: 300 VAC

Current rating: 15 Amps

Contact resistance: 20 mohms max

Insulation resistance: 500 Mohms min @ 500 VDC

Dielectric withstanding voltage: 2,000 VAC for 1 minute

Wire range: 28-14 AWG, 1.5mm²

Torque: 0.5Nm, 4.5lb-in

Wire strip length: 7-8mm

Temperature Rating:

Operating temperature: -40°C to +105°C

Environmental:

Lead free, RoHS compliant.



UNLESS OTHERWISE SPECIFIED
ALL DIMENSIONS ARE INCHES [MM]
TOLERANCES: EXCEPT AS NOTED
INCHES HOLES

.X ± .10	∅.X ± .10
.XX ± .020	∅.XX ± .015
.XXX ± .015	∅.XXX ± .010

ADAM TECH

909 Rahway Avenue, Union, NJ 07083
Phone: 908-687-5000 Fax: 908-687-5710

TITLE: EURO BLOCK, .200 [5.08] PITCH, GREEN
HOOKS ON BACK SIDE, WITH FLANGE

APPROVALS		DATE
DRAWN	AY	11/11/14
CHECKED	AC	11/11/14
APPROVED		

SIZE	PART NO.	REV.
X	EB9A-XX-D-R-E	A
REF:	S00067C	SCALE: NTS
		SHEET 1 OF 1