

6

5

4

3

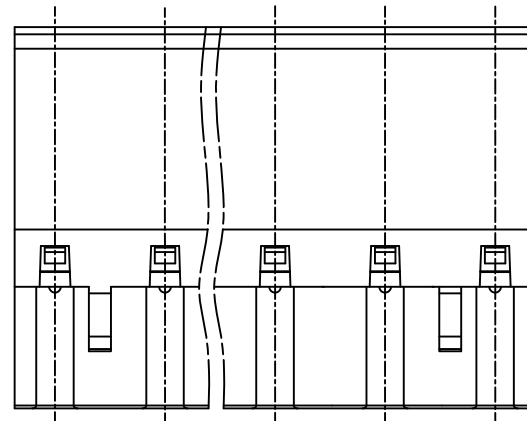
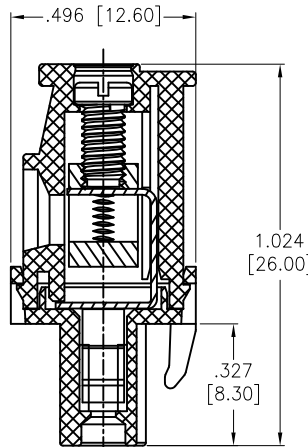
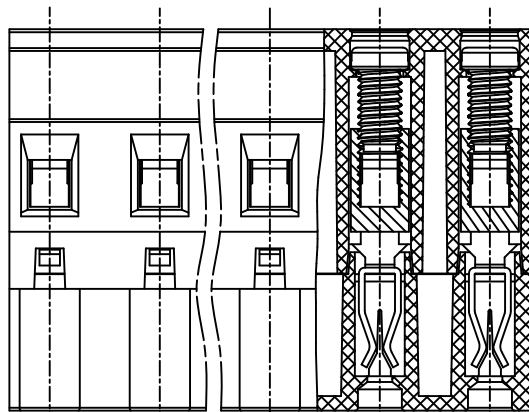
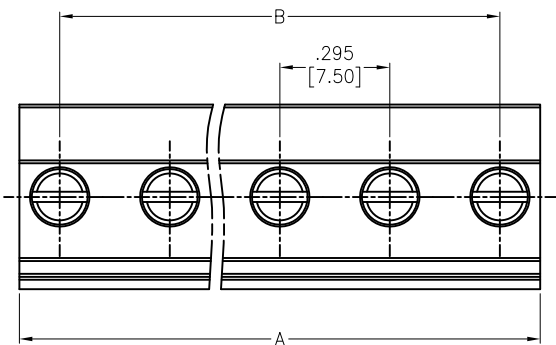
2

1

APPROVED: _____

DATE: _____ TITLE: _____

Rev	AWO #	Description	Date	Appr
-		RELEASED	9/9/15	



SPECIFICATIONS:

Material:
 Insulator: PA66, rated UL 94V-0
 Insulator color: Black
 Screws: M3 Steel, Zinc plated
 Clamp: Phosphor Bronze, Nickel plated
 Cage: Brass, Nickel plated
 Electrical:
 Voltage rated: 300 V
 Current rating: 15 A
 Contact resistance: 20 mohms max
 Insulation resistance: 500 Mohms min @ 500 VDC
 Dielectric withstanding voltage: 2,000 VAC for 1 minute
 Wire range: 28-14 AWG, 1.5mm²
 Torque: 4.5Lb-in, 0.5N-m
 Wire strip length: 7-8mm
 Temperature Rating:
 Operating temperature: -40°C to +105°C
 Environmental:
 Lead free, RoHS compliant.



Positions: 2 thru 24

A = .295 [7.50] x No. of Positions - .079 [2.00]

B = .295 [7.50] x No. of Spaces

UNLESS OTHERWISE SPECIFIED ALL DIMENSIONS ARE INCHES [MM] TOLERANCES: EXCEPT AS NOTED		ADAM TECH 909 Rahway Avenue, Union, NJ 07083 Phone: 908-687-5000 Fax: 908-687-5710	
INCHES HOLES .X ± .10 Ø.X ± .10 .XX ± .020 Ø.XX ± .015 .XXX ± .015 Ø.XXX ± .010			
APPROVALS		DATE	
DRAWN	HR	9/9/15	
CHECKED	RT	9/9/15	
APPROVED			
TITLE		EURO BLOCK, .295 [7.50] PITCH HOOKS ON BACK SIDE, BLACK COLOR	
SIZE	PART NO.	REV.	
X	EB9A-XX-M-R-BK	-	
REF:	S00067C	SCALE:	NTS
		SHEET 1 OF 1	

6

5

4

3

2

1