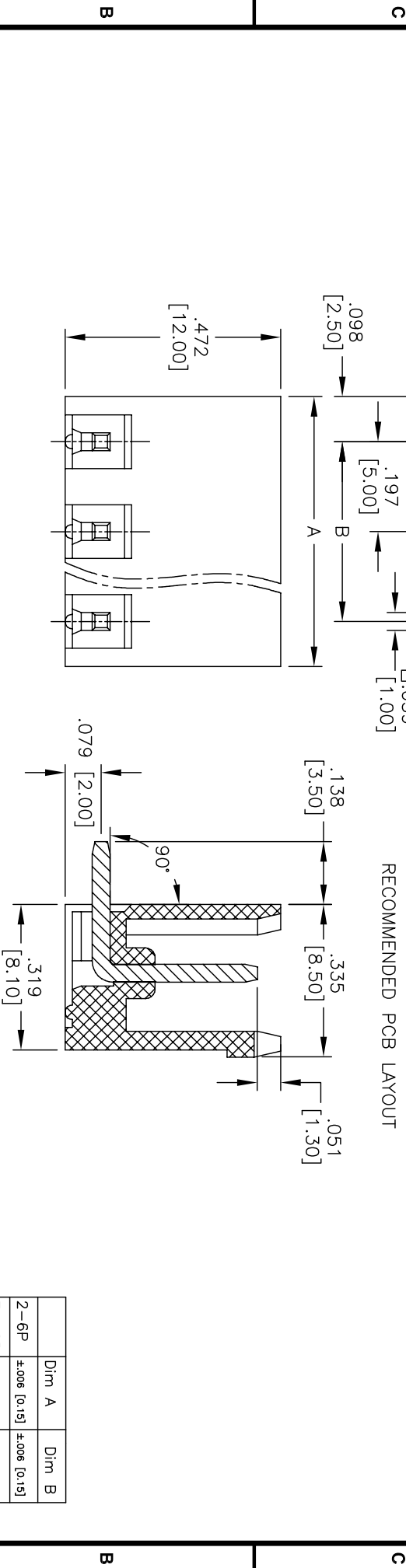
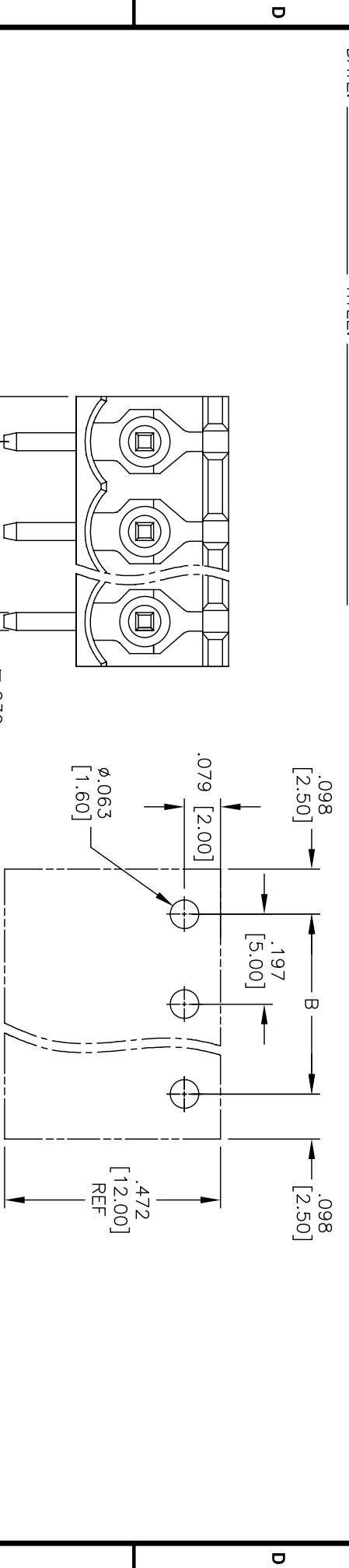


APPROVED: \_\_\_\_\_  
 DATE: \_\_\_\_\_ TITLE: \_\_\_\_\_

Rev	AWO #	Description	Date	Appr
-		RELEASED	10/4/11	



**SPECIFICATIONS:**  
**Material:**  
 Insulator: Thermoplastic, rated UL 94V-0  
 Insulator color: Green  
 Contact: Copper alloy, Tin plated  
**Electrical:**  
 Operation voltage: 300 VAC  
 Current rating: 20 Amps  
 Withstanding Voltage: 1.6KV  
 Temperature Rating:  
 Operating temperature: -40°C to +115°C  
**Environmental:**  
 Lead free, RoHS compliant.

Positions: 02 thru 24  
 A = .197 [5.00] x No. of Positions  
 B = .197 [5.00] x No. of Spaces

Dim A	Dim B
2-6P ±.006 [0.15]	±.006 [0.15]
7-12P ±.010 [0.25]	±.010 [0.25]
13-18P ±.012 [0.30]	±.012 [0.30]
19-24P ±.016 [0.40]	±.016 [0.40]

UNLESS OTHERWISE SPECIFIED  
 ALL DIMENSIONS ARE MM [INCHES]  
 TOLERANCES: EXCEPT AS NOTED  
 INCHES: .10 ØXX ±.010  
 .XX ±.020 ØXXX ±.015  
 .XXX ±.015 ØXXX ±.010

**ADAM TECH**  
 909 Rahway Avenue, Union, NJ 07083  
 Phone: 908-687-5000 Fax: 908-687-5710

**TERMINAL BLOCK, SOCKETS FOR PLUGGABLE,  
 RIGHT ANGLE, .197 [5.00] PITCH**

ADAM TECH  
 EBO-XX-C  
 SCALE: NTS  
 SHEET 1 OF 1

