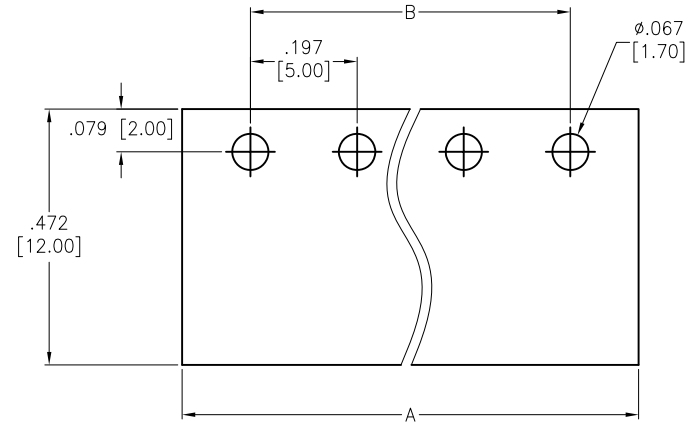
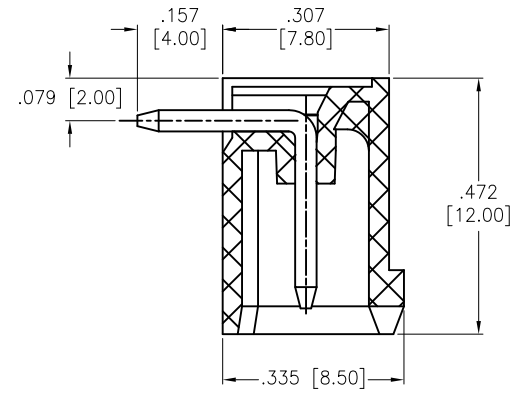
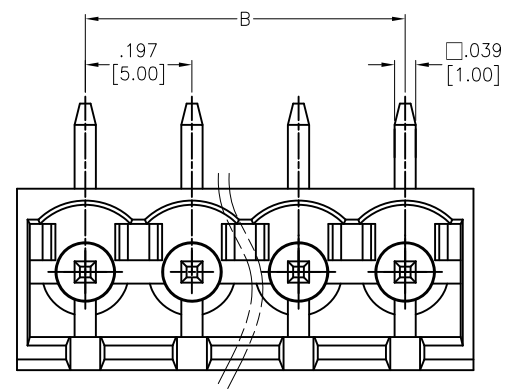
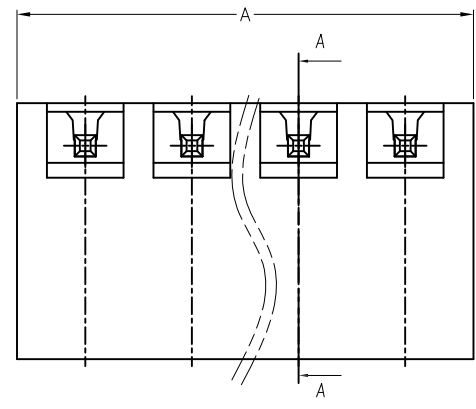


Rev	AWO #	Description	Date	Appr
-		RELEASED	4/8/15	

APPROVED: \_\_\_\_\_  
DATE: \_\_\_\_\_ TITLE: \_\_\_\_\_



RECOMMENDED PCB LAYOUT



SECTION A-A

**SPECIFICATIONS:**  
Material:  
Insulator: PA66, rated UL 94V-0  
Insulator color: Green  
Contacts: Brass, Tin plated  
Electrical:  
Voltage rated: 300 V  
Current rated: 15 A  
Contact resistance: 20 mΩ  
Insulation resistance: 500 MΩ @ 500 VDC  
Dielectric withstanding voltage: 2,000 VAC for 1 minute  
Temperature Rating:  
Operating temperature: -40°C to +105°C  
Environmental:  
Lead free, RoHS compliant.



Positions: 02 thru 24  
A = .197 [5.00] x No. of Positions + .055 [1.40]  
B = .197 [5.00] x No. of Spaces

UNLESS OTHERWISE SPECIFIED ALL DIMENSIONS ARE MM [INCHES] TOLERANCES: EXCEPT AS NOTED			
INCHES		HOLES	
.X	± .10	Ø.X	± .10
.XX	± .020	Ø.XX	± .015
.XXX	± .015	Ø.XXX	± .010
APPROVALS		DATE	
DRAWN	HR	4/8/15	
CHECKED	NC	4/8/15	
APPROVED			

**ADAM TECH**  
909 Rahway Avenue, Union, NJ 07083  
Phone: 908-687-5000 Fax: 908-687-5710

TITLE: .197 [5.00] PITCH, EURO BLOCK HEADER  
RIGHT ANGLE, CLOSE SIDE

SIZE	PART NO.	REV.
X	EBQA-XX-C-C	-

REF: S00067C SCALE: NTS SHEET 1 OF 1

6

5

4

3

2

1

6

5

4

3

2

1

D

D

C

C

B

B

A

A