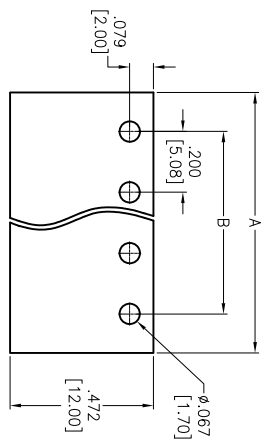
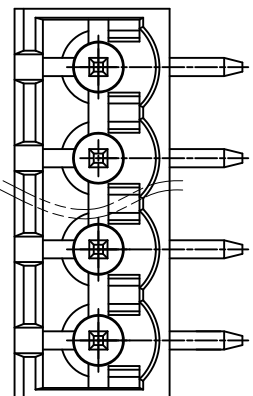
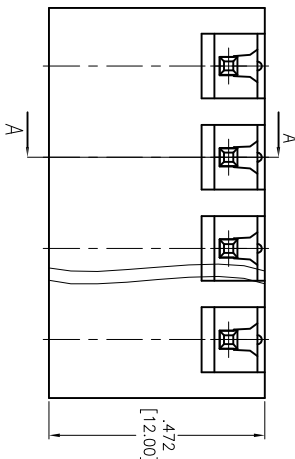
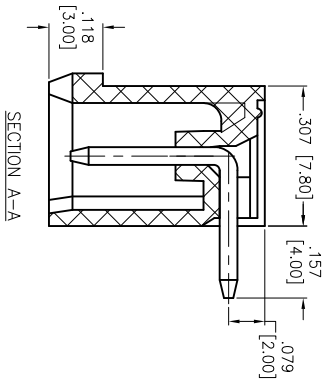
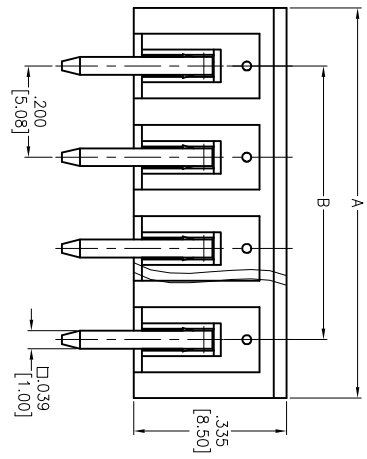


Rev	AWO #	Description	Date	Appr
-		RELEASED	8/28/14	

APPROVED: _____
 DATE: _____ TITLE: _____



Positions: 02 thru 24
 A = .200 [5.08] x No. of Positions+ .055 [1.40]
 B = .200 [5.08] x No. of Spaces

SPECIFICATIONS:

Material:

Insulator: PA66, rated UL 94V-0

Insulator color: Green

Contacts: Brass, Tin plated

Electrical:

Voltage rated: 300 VAC

Current rated: 15 Amps

Contact resistance: 20 mΩ

Insulation resistance: 500 MΩ @ 500 VDC

Withstanding voltage: 2000V AC/1 Min

Temperature Rating:

Operating temperature: -40°C to +105°C

Environmental:

Lead free, RoHS compliant.



UNLESS OTHERWISE SPECIFIED
 ALL DIMENSIONS ARE MM [INCHES]
 TOLERANCES: EXCEPT AS NOTED
 INCHES

.X	± .10	ØXX	± .10
.XX	± .020	ØXXX	± .015
.XXX	± .015	ØXXXX	± .010

APPROVALS

APPROVALS	DATE
AY	8/28/14
YC	8/28/14

ADAM TECH
 909 Rahway Avenue, Union, NJ 07083
 Phone: 908-687-5000 Fax: 908-687-5710

TITLE: .200 [5.08] PITCH, EURO BLOCK HEADER
 RIGHT ANGLE, CLOSE SIDE

DRAWN	AY	8/28/14	SIZE	PART NO.	REV.
CHECKED	YC	8/28/14	X	EBQA-XX-D-C	-
APPROVED			REF:	S00067C	SHEET 1 OF 1