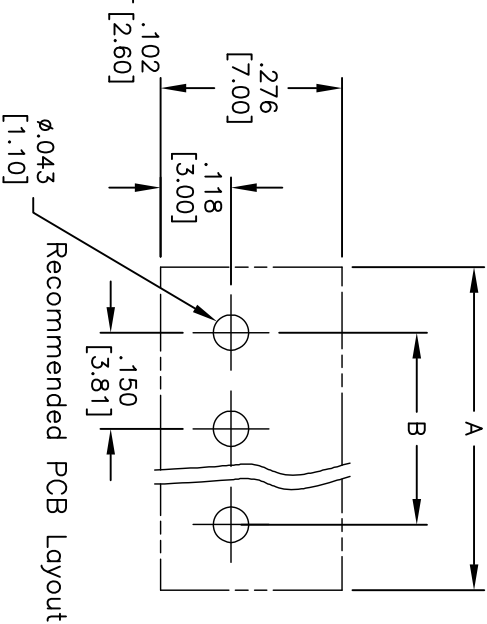
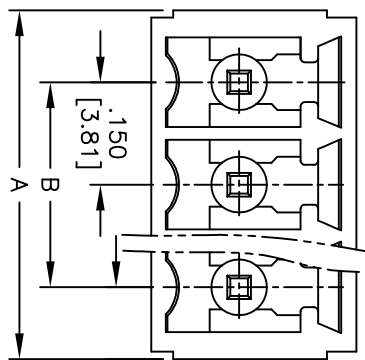
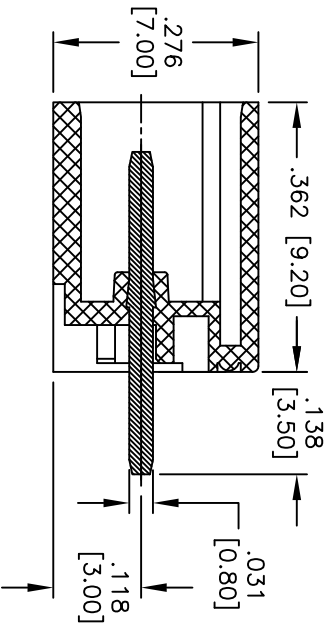


APPROVED: _____
 DATE: _____ TITLE: _____

Rev	AWO #	Description	Date	Appr
-		RELEASED	6/13/07	
A		REDRAWN	6/22/12	



SPECIFICATIONS:
 Material: Nylon66, rated UL 94V-0
 Insulator color: Green
 Contact: Brass, Tin plated.
 Electrical:
 Operation voltage: 300 VAC
 Current rating: 15 Amps
 Insulation resistance: 500 MΩ min @ 500 VDC
 Dielectric withstanding voltage: 2000 VAC for 1 minute
 Environmental:
 Operating temperature: -40°C to +105°C
 Lead free, RoHS compliant.

Poles: 2 thru 24
 A = .150 [3.81] X No. of Spaces + .205 [5.20]
 B = .150 [3.81] X No. of Spaces

UNLESS OTHERWISE SPECIFIED
 ALL DIMENSIONS ARE INCHES [MM]
 TOLERANCES: EXCEPT AS NOTED
 INCHES HOLEES [MM]
 .X ± .10 ØXX ± .10
 .XX ± .020 ØXXX ± .015
 .XXX ± .015 ØXXXX ± .010

ADAM TECH
 909 Rahway Avenue, Union, NJ 07083
 Phone: 908-687-5000 Fax: 908-687-5710

TITLE: EURO BLOCK, 3.81mm PLUGGABLE
 2 THRU 24 POLES

DRAWN	SS	6/13/07	SIZE	PART NO.	REV.
CHECKED			X	EBR-XX-B	A
APPROVED			REF:	S00028C	
			SCALE:	NIS	SHEET 1 OF 1

