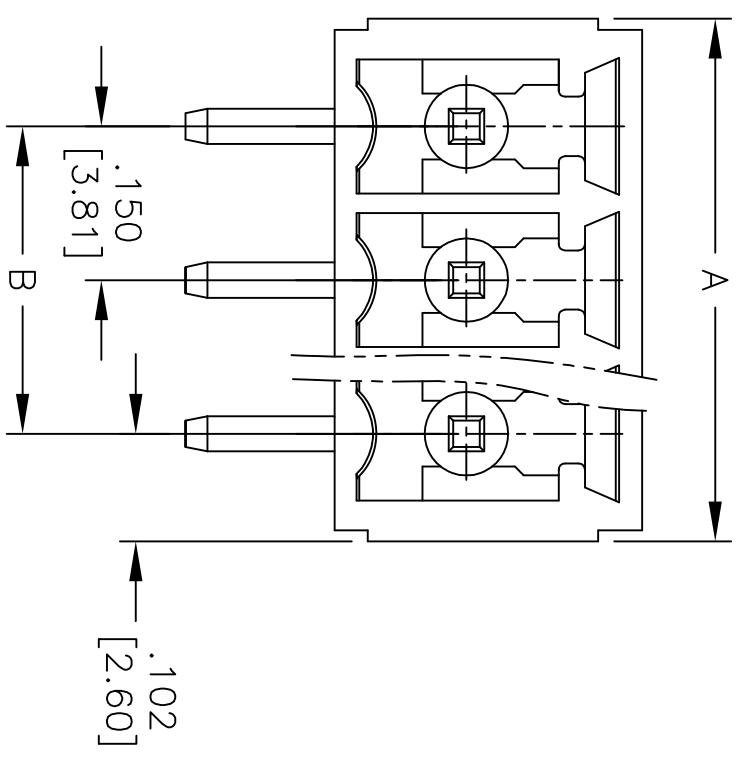
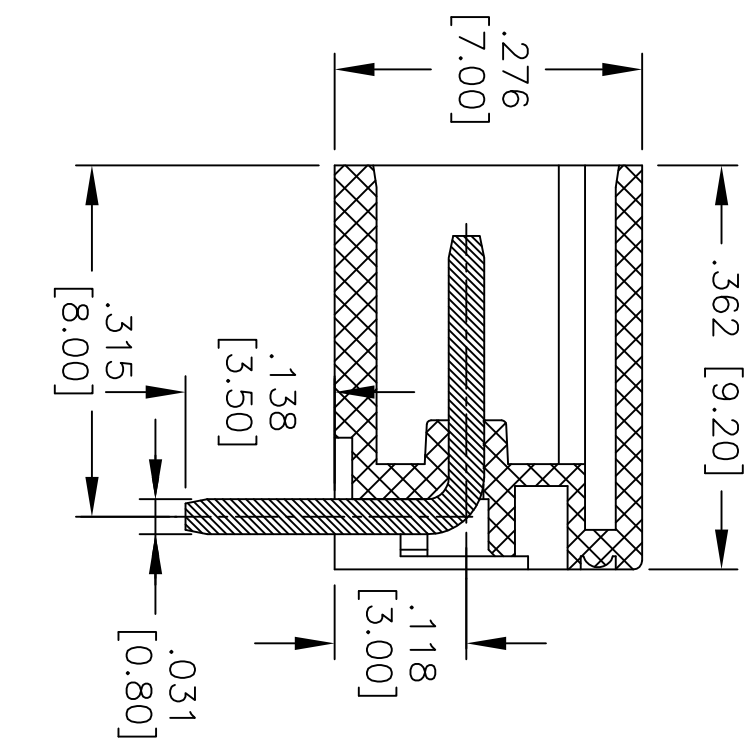


APPROVED: _____
 DATE: _____ TITLE: _____

Rev	AWO #	Description	Date	Appr
-		RELEASED	6/13/07	
A	11923	REDRAWN	2/10/12	



SPECIFICATIONS:

Material:
 Insulator: Thermoplastic, rated UL 94V-0
 Insulator color: Green
 Wire Guard: Phosphor Bronze, Tin plated
 Terminal Body: Brass, Zinc plated
 Screw: Steel, Zinc plated

Electrical:
 Operation voltage: 300V
 Current rating: 8 Amps
 Insulation resistance: 500 Mohms min @ 500V
 Dielectric withstanding voltage: 2000 VAC for 1 minute

Temperature Rating:
 Operating temperature: -40°C to +105°C

Environmental:
 Lead free, RoHS compliant.

Positions: 02 thru 24
 A = .150 [3.81] x No. of Positions + .055 [1.39]
 B = .150 [3.81] x No. of Spaces

ADAM TECH

909 Rahway Avenue, Union, NJ 07083
 Phone: 908-687-5000 Fax: 908-687-5710

**EURO BLOCK, 3.81mm PLUGGABLE
 2 THRU 24 POLES**

UNLESS OTHERWISE SPECIFIED ALL DIMENSIONS ARE INCHES [MM]	
TOLERANCES: EXCEPT AS NOTED	
INCHES	HOLDS
.X ± .10	ØXX ± .10
.XX ± .020	ØXXX ± .015
.XXX ± .015	ØXXXX ± .010
APPROVALS	DATE
DRAWN	SS
CHECKED	
APPROVED	

TITLE		PART NO.		REV.
EURO BLOCK, 3.81mm PLUGGABLE		EBS-XX-B		A
2 THRU 24 POLES		SIZE	PART NO.	REV.
		X	EBS-XX-B	A
REF:	S00028C	SCALE:	NTS	SHEET 1 OF 1



6 5 4 3 2 1