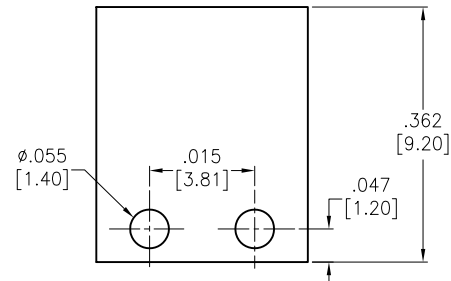
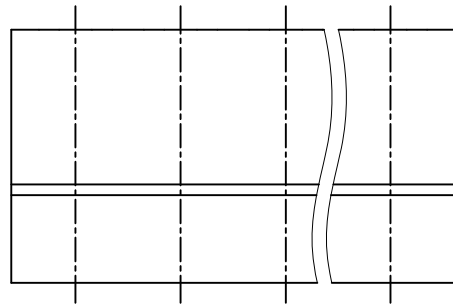
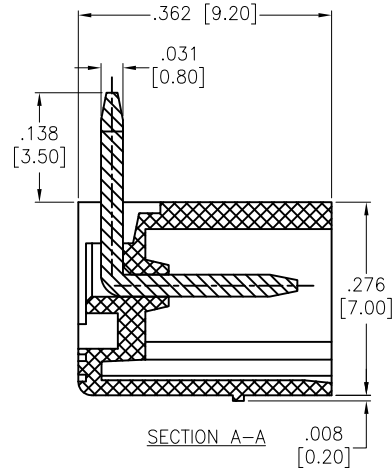
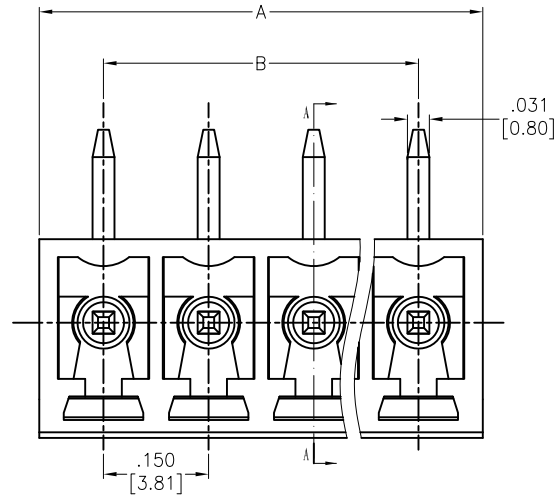


APPROVED: \_\_\_\_\_  
 DATE: \_\_\_\_\_ TITLE: \_\_\_\_\_

Rev	AWO #	Description	Date	Appr
-		RELEASED	5/5/14	
A		REVISED SPEC.	6/4/14	HR/VY
B		REVISED LAYOUT DIM.	11/25/14	AY/MY



RECOMMENDED PCB LAYOUT

**SPECIFICATIONS:**

Material:  
 Insulator: PA66, rated UL 94V-0  
 Insulator color: Green  
 Contact: Brass, Tin plated  
 Electrical:  
 Operation voltage: 300 VAC max  
 Current rating: 8 Amps max  
 Contact resistance: 20 mohms max  
 Insulation resistance: 500 Mohms min @ 500 VDC  
 Dielectric withstanding voltage: 2,000 VAC for 1 minute  
 Temperature Rating:  
 Operating temperature: -40°C to +105°C  
 Environmental:  
 Lead free, RoHS compliant.



Positions: 02 thru 24

A = .150 [3.81] x No. of Spaces + .181 [4.60]

B = .150 [3.81] x No. of Spaces

UNLESS OTHERWISE SPECIFIED  
 ALL DIMENSIONS ARE INCHES [MM]  
 TOLERANCES: EXCEPT AS NOTED  
 INCHES HOLES  
 .X ± .10 Ø.X ± .10  
 .XX ± .020 Ø.XX ± .015  
 .XXX ± .015 Ø.XXX ± .010

**ADAM TECH**

909 Rahway Avenue, Union, NJ 07083  
 Phone: 908-687-5000 Fax: 908-687-5710

APPROVALS		DATE
DRAWN	HR	5/5/14
CHECKED	SY	5/5/14
APPROVED		

TITLE		
TERMINAL BLOCK, RIGHT ANGLE, .150" [3.81] PITCH		
SIZE X	PART NO. EBSA-XX-B	REV. B
REF: S00067C	SCALE: NTS	SHEET 1 OF 1