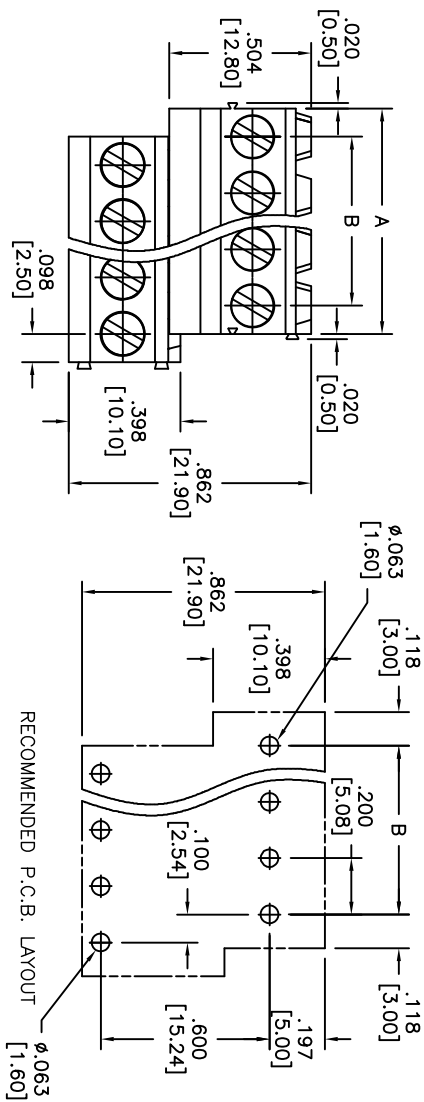
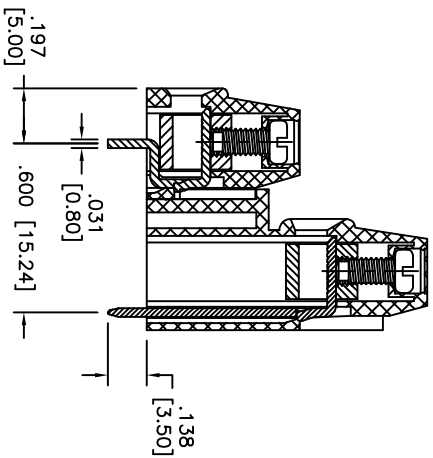
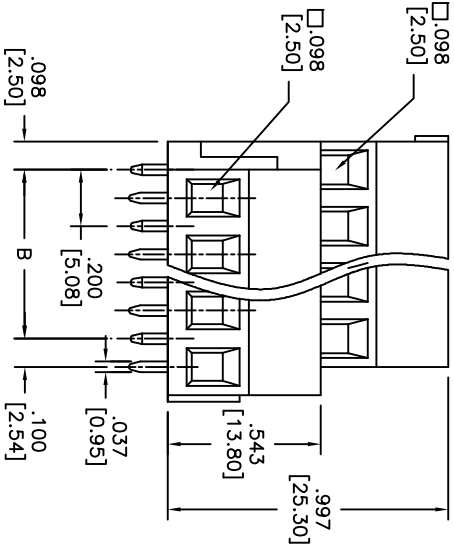


APPROVED: _____
 DATE: _____ TITLE: _____

Rev	AWO #	Description	Date	Appr
-		RELEASED	4/26/07	
A		REVISED POSITIONS	01/12/12	
B		REVISED SPEC.	6/12/14	HR/AY
C		REDRAWN	8/5/14	AY/CH



Poles	ADAM P/N	Poles	ADAM P/N
4	EBV2-02-D	34	EBV2-17-D
6	EBV2-03-D	36	EBV2-18-D
8	EBV2-04-D	38	EBV2-19-D
10	EBV2-05-D	40	EBV2-20-D
12	EBV2-06-D	42	EBV2-21-D
14	EBV2-07-D	44	EBV2-22-D
16	EBV2-08-D	46	EBV2-23-D
18	EBV2-09-D	48	EBV2-24-D
20	EBV2-10-D	64	EBV2-32-D
22	EBV2-11-D		
24	EBV2-12-D		
26	EBV2-13-D		
28	EBV2-14-D		
30	EBV2-15-D		
32	EBV2-16-D		



A = .200 [5.08] x No. of Positions Per Row
 B = .200 [5.08] x No. of Spaces

	Tolerance
02-06P	±.008 [0.20]
07-12P	±.012 [0.30]
13-18P	±.013 [0.35]
19-24P	±.016 [0.40]

SPECIFICATIONS:

Material:
 Insulator: Thermoplastic, rated UL 94V-0
 Insulator color: Green
 Contact: Brass, Tin plated
 Screw: Steel, M2.5/Zinc plated
 Clamp: Brass, Nickel plated
Electrical:
 Operation voltage: 300 VAC max
 Current rating: 20 Amps
 Withstanding Voltage: 1.6KV
Mechanical:
 Torque (lb-in): 3.5
 Solid wire (AWG): 12-22
 Stranded wire (AWG): 12-22
 Wire strip length: 6-7mm
 Temperature Rating:
 Operating temperature: -40°C to +115°C
Environmental:
 Lead free, RoHS compliant.



ADAM TECH

909 Rahway Avenue, Union, NJ 07083
 Phone: 908-687-5000 Fax: 908-687-5710

STACKED EURO BLOCK, 5.08mm PITCH

UNLESS OTHERWISE SPECIFIED ALL DIMENSIONS ARE INCHES [MM] TOLERANCES: EXCEPT AS NOTED		TITLE	
.X .XX .XXX	±.10 ±.020 ±.015	ØXX ØXXX ØXXXX	±.10 ±.015 ±.010
APPROVALS		DATE	
DRAWN	BW	4/26/07	
CHECKED			
APPROVED			
SIZE	PART NO.	REV.	
X	EBV2-XX-D	C	
REF:	S0007T	SCALE:	MKS
		SHEET	1 OF 1