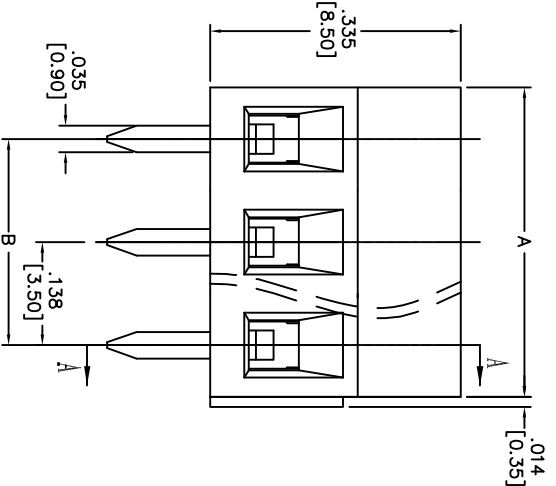
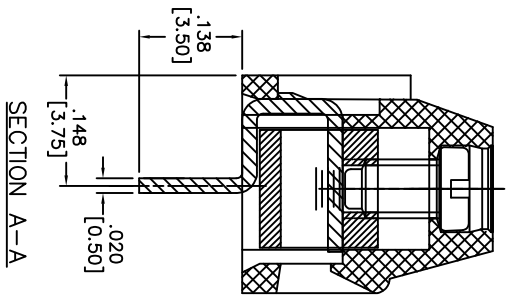
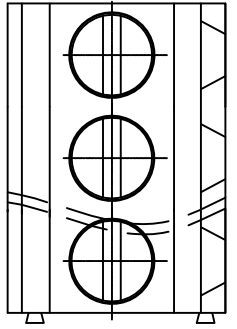
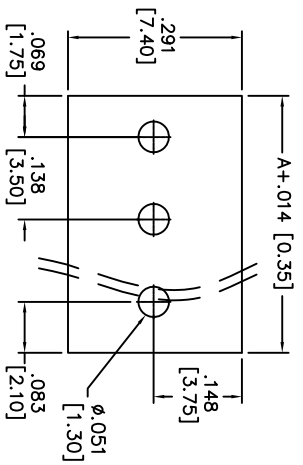


APPROVED: _____ TITLE: _____
 DATE: _____

Rev	AWO #	Description	Date	Appr
-		RELEASED	6/27/13	
A		UPDATE SHAPE	10/27/14	AY/NP



Positions: 2 thru 24
 A = .138 [3.50] x No. of Positions
 B = .138 [3.50] x No. of Spaces

SPECIFICATIONS:
 Material: PA66, rated UL 94V-0
 Insulator color: Green
 Contact: Brass, Tin plated
 Screw: Steel, M2/Zinc plated
 Cage: Brass, Nickel plated
 Electrical:
 Voltage rated: 300 VAC max
 Current rated: 10 Amps max
 Contact resistance: 20 mΩ
 Insulation resistance: 500 MΩ/500VDC
 Withstanding voltage: 2000 VAC for 1 minute
 Mechanical:
 Torque: 0.2Nm (1.8 lb.in)
 Wire Range: 28-16Awg 1.0mm²
 Environmental:
 Operating temperature: -40°C to +105°C
 Lead free, RoHS compliant.



UNLESS OTHERWISE SPECIFIED
 ALL DIMENSIONS ARE MM [INCHES]
 TOLERANCES: EXCEPT AS NOTED
 INCHES HOLES
 X ±.10 ØXX ±.10
 .XX ±.020 ØXX ±.015
 .XXX ±.015 ØXXX ±.010

ADAM TECH
 909 Rahway Avenue, Union, NJ 07083
 Phone: 908-687-5000 Fax: 908-687-5710
 TITLE: TERMINAL BLOCK, PCB, VERTICAL,
 .138" [3.50] PITCH

APPROVALS	DATE	SIZE	PART NO.	REV.
DRAWN	AY	6/27/13		
CHECKED	NP	6/27/13	EBWA-XX-A	A
APPROVED				

REF: S00067C SCALE: NTS SHEET 1 OF 1