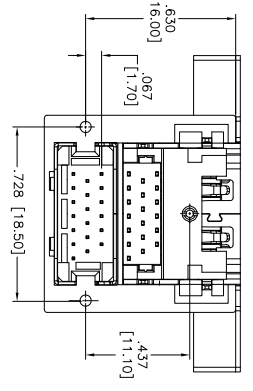
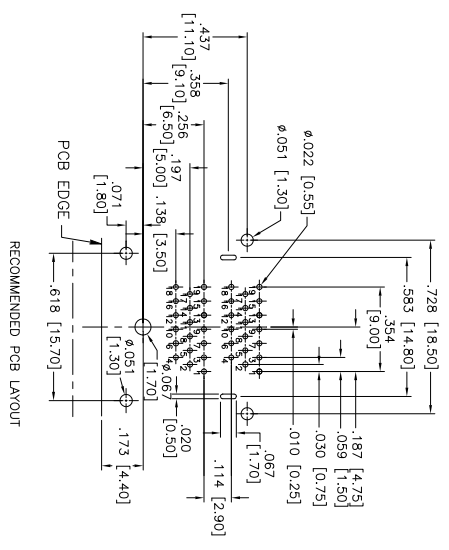
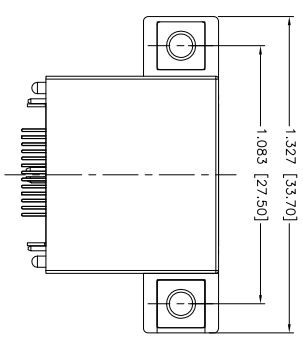
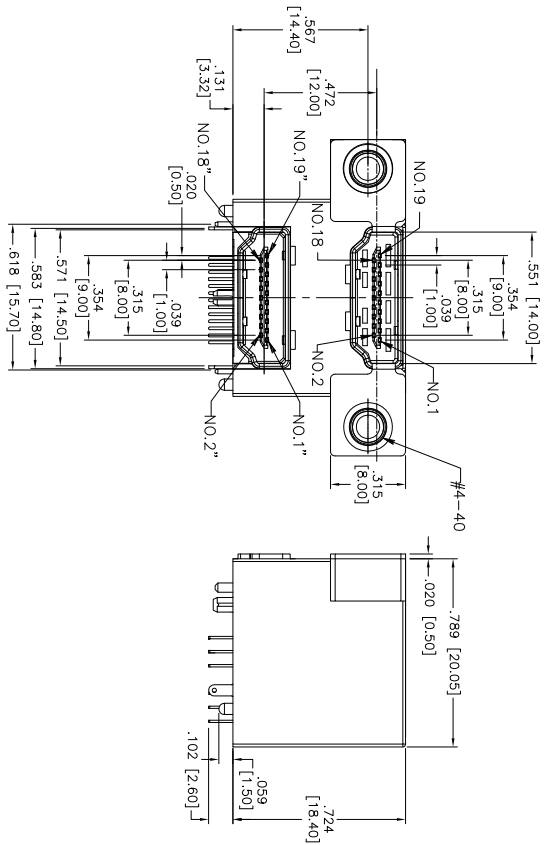
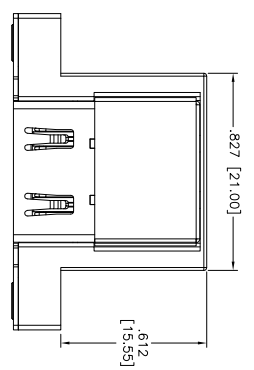


6	5	4	3	2	1		
APPROVED: _____	TITLE: _____	DATE: _____	Rev	AWO #	Description	Date	Appr
			-		RELEASED	11/16/10	



SPECIFICATIONS:

Material: Hi-temp thermoplastic, UL 94V-0
 Housing color: Black
 Contact: Copper Alloy
 Shield: Copper Alloy, Tin plated over Nickel
 Plating: Gold Flash over Nickel underplate on contact area, Tin over Copper underplate on tails.
 Electrical: Current rating: 0.5A
 Dielectric strength: 500VAC for 1 minute min.
 Insulation resistance: 100 Megohm min @ 500V DC
 Operating temperature: -25°C to +85°C
 Environmental: Lead free, RoHS Compliant
 Recommended soldering temp: 260°C for 5 seconds.

ADAM TECH

909 Rahway Avenue, Union, NJ 07083
 Phone: 908-687-5000 Fax: 908-687-5710

DUAL HDMI STACKED CONNECTOR THROUGH HOLE TYPE

UNLESS OTHERWISE SPECIFIED ALL DIMENSIONS ARE MM	
TOLERANCES: EXCEPT AS NOTED	
INCHES	HOLE
.X ± .10	± .10
.XX ± .020	± .015
.XXX ± .015	± .010
APPROVALS	DATE
DRAWN	DY
CHECKED	
APPROVED	

SIZE	PART NO.	REV.
X	HDMI-D-RA-1-MF	-
REF:	S00076T	
SCALE:	NTS	
SHEET	1 OF 1	

