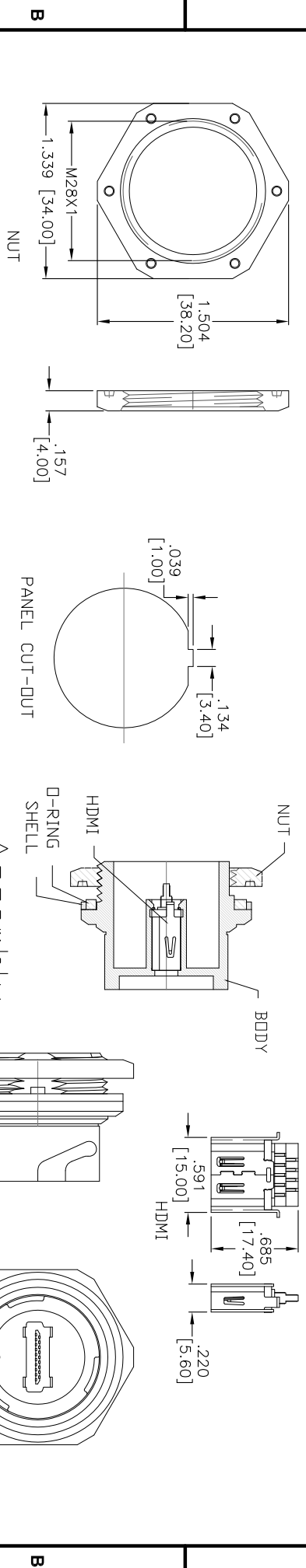
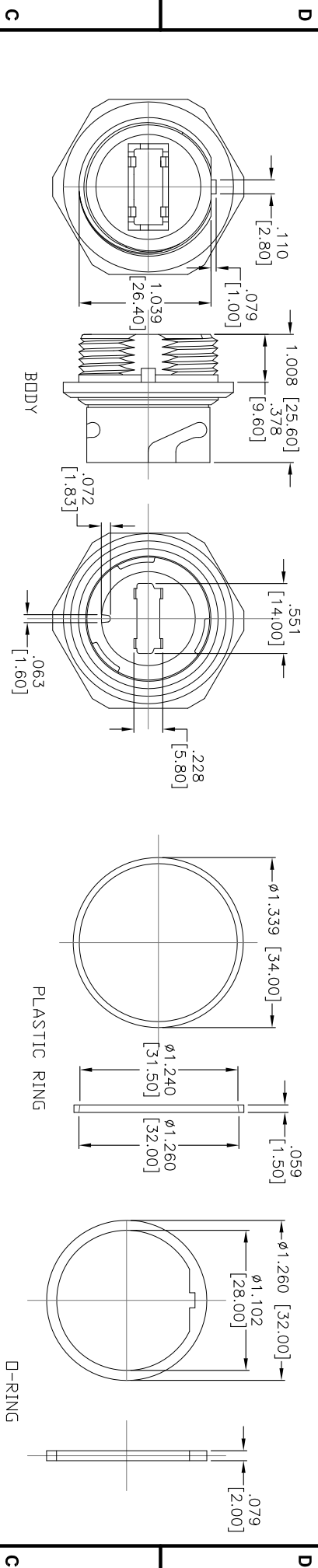


Rev	AWO #	Description	Date	Appr
-		RELEASED	9/1/11	

APPROVED: _____
 DATE: _____ TITLE: _____



SPECIFICATIONS:
Material:
 Body: PBT, rated UL 94V-0, color: Black
 Plastic Ring: PBT, rated UL 94V-0, color: Black
 Nut: PBT, rated UL 94V-0, color: Black
 O-Ring: Silicone, color: Black
 HDMI:
 Housing: LCP, rated UL 94V-0
 Housing color: Black
 Cup: LCP, rated UL 94V-0, color: Black
 Contact: Copper alloy
 Shield: Brass, Gold plated
Plating:
 15u" Gold over Nickel underplate on contact area,
 Tin over Nickel underplate on solder tails.
Electrical:
 Voltage rating: 40V
 Current rating: 0.5A
 Temperature Rating:
 Operating temperature: -20°C to +85°C
Environmental:
 Lead free, RoHS Compliant
 Recommended soldering temp: 260°C for 5 seconds.

Assembly
 SECTION A-A

Assembly

UNLESS OTHERWISE SPECIFIED ALL DIMENSIONS ARE INCHES [MM]		TOLERANCES EXCEPT AS NOTED	
.X	± .10	ØXX	± .10
.XX	± .020	ØXXX	± .015
.XXX	± .015	ØXXX	± .010
APPROVALS		DATE	
DRAWN	AY	9/1/11	
CHECKED	NP	9/1/11	
APPROVED			

ADAM TECH
 909 Railway Avenue, Union, NJ 07083
 Phone: 908-687-5000 Fax: 908-687-5710

TITLE		PART NO.		SCALE		SHEET	
HDMI RECEPTACLE, VERTICAL, FEMALE WATERPROOF		HDMI-F-S-WPH		NTS		1 OF 1	

