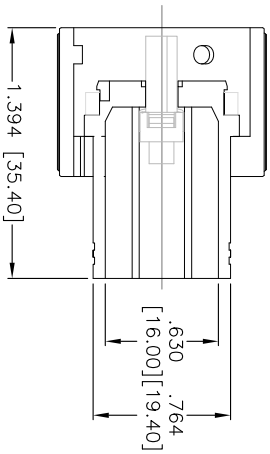
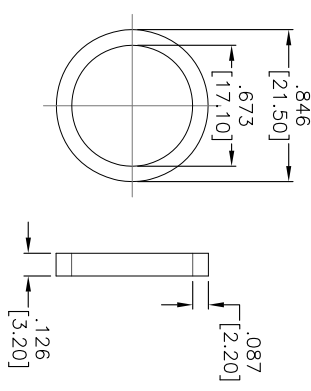
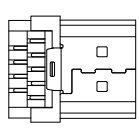
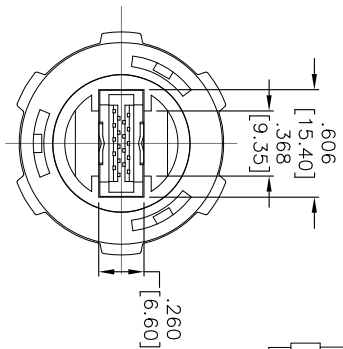
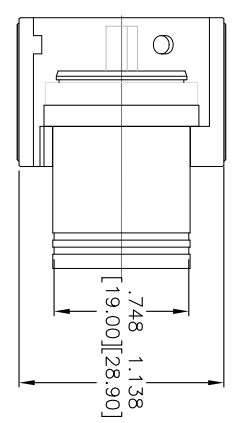
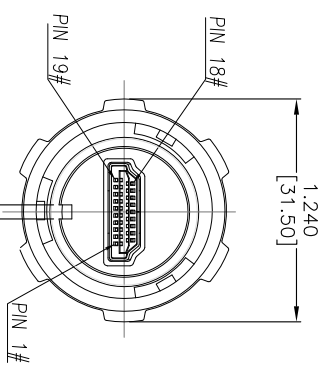
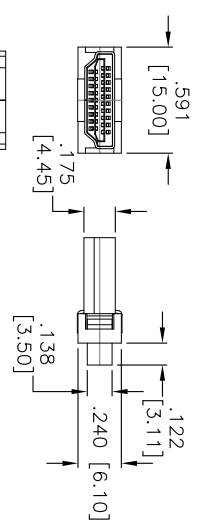
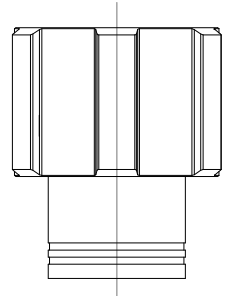


Rev	AWO #	Description	Date	Appr
-		RELEASED	9/1/11	

APPROVED: _____
 DATE: _____ TITLE: _____



SPECIFICATIONS:
Material:
 EXTERNAL:
 Housing: PBT, rated UL 94V-0
 Housing color: Black
 Nut: PBT, rated UL 94V-0, color: Black
 O-Ring: Silicone, color: Black
 HDMI:
 Front Housing: LCP, rated UL 94V-0
 Back Housing: PBT+GF30%, rated UL 94V-0
 Housing color: Black
 Contact: Phosphor Bronze
 Shield: Brass, Gold plated.
Plating:
 15u" Gold over Nickel underplate on contact area,
 Tin over Nickel underplate on solder tails.
Electrical:
 Voltage rating: 40V
 Current rating: 0.5A
 Temperature Rating:
 Operating temperature: -20°C to +85°C
 Environmental:
 Lead free, RoHS Compliant
 Recommended soldering temp: 260°C for 5 seconds.

UNLESS OTHERWISE SPECIFIED
 ALL DIMENSIONS ARE INCHES [MM]
 TOLERANCES: EXCEPT AS NOTED
 INCHES HOLEES

.X	± .10	ØX	± .10
.XX	± .020	ØXXX	± .015
.XXX	± .015	ØXXXX	± .010

APPROVALS

DATE	DATE
9/1/11	9/1/11

ADAM TECH
 909 Railway Avenue, Union, NJ 07083
 Phone: 908-687-5000 Fax: 908-687-5710

TITLE: HDMI RECEPTACLE, VERTICAL, MALE
 WATERPROOF

SIZE: PART NO. HDMI-M-S-WPH
 X REF: S0037T SCALE: NTS SHEET 1 OF 1

