

6

5

4

3

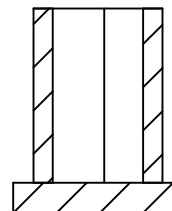
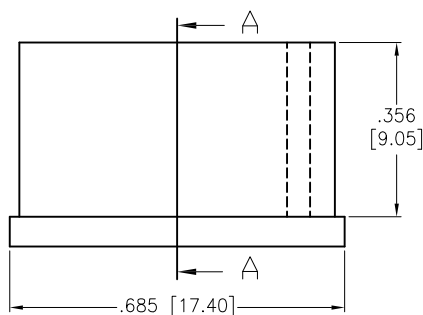
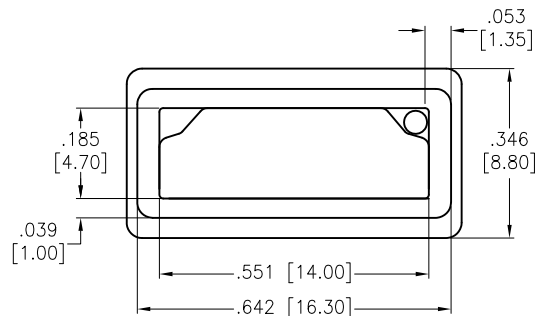
2

1

APPROVED: _____

DATE: _____ TITLE: _____

Rev	AWO #	Description	Date	Appr
-		RELEASED	11/6/15	



SECTION A-A

SPECIFICATIONS:
 Material:
 Insulator: PE, rated UL 94V-0
 Insulator color: Natural
 Environmental:
 Lead free, RoHS compliant.



UNLESS OTHERWISE SPECIFIED
 ALL DIMENSIONS ARE INCHES [MM]
 TOLERANCES: EXCEPT AS NOTED
 INCHES HOLES
 .X ± .10 Ø.X ± .10
 .XX ± .020 Ø.XX ± .015
 .XXX ± .015 Ø.XXX ± .010

ADAM TECH

909 Rahway Avenue, Union, NJ 07083
 Phone: 908-687-5000 Fax: 908-687-5710

APPROVALS		DATE
DRAWN	HR	11/6/15
CHECKED	NC	11/6/15
APPROVED		

TITLE		
HDMI A TYPE MALE DUST COVER		
SIZE	PART NO.	REV.
X	HDMI-PLUG-DC	-
REF: S00097C	SCALE: NTS	SHEET 1 OF 1

6

5

4

3

2

1