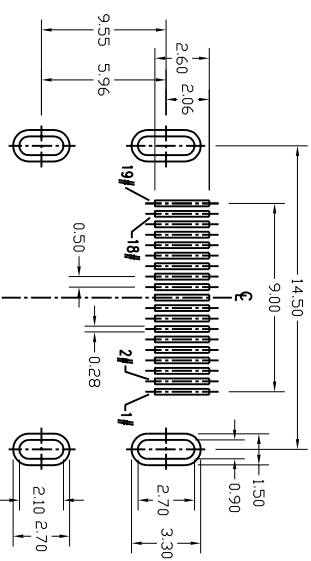
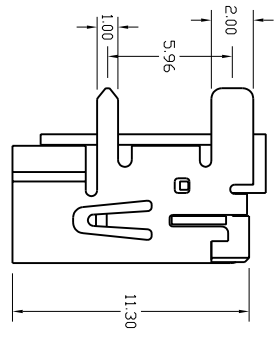
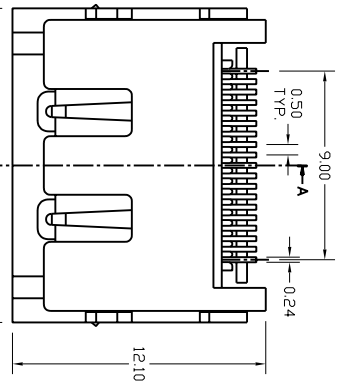
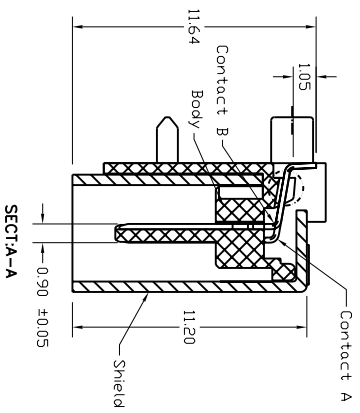
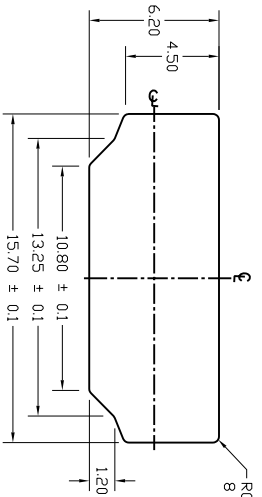
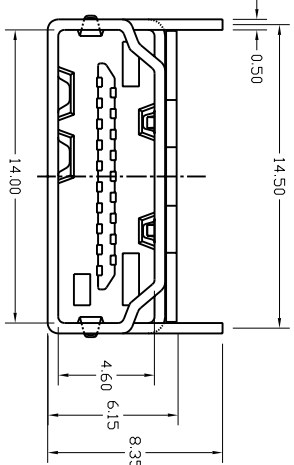


Rev	AWO #	Description	Date	Appr
-		RELEASED	03/18/05	

APPROVED: \_\_\_\_\_  
 DATE: \_\_\_\_\_ TITLE: \_\_\_\_\_



PCB EDGE  
 PCB LAYOUT



REFERENCE PANEL CUT OUT DIMENSION

**SPECIFICATIONS:**  
 Material: LCP, glass reinforced, rated UL 94V-0  
 Insulator color: Black  
 Shield: Brass, Tin plate over Nickel underplate  
 Contacts: Brass  
 Plating: Gold Flash over Nickel underplate on contact area, Tin over Copper underplate on tails  
 Electrical:  
 Operating voltage: 40 VDC max.  
 Current rating: 0.5 Amps max.  
 Contact resistance: 30 mohms max.  
 Insulation resistance: 2000 Mohms min.  
 Dielectric withstanding voltage: 1200 VAC for 1 minute  
 Temperature Rating:  
 Operating temperature: -20°C to +85°C  
 Environmental:  
 Lead free, RoHS compliant.  
 Recommended soldering temp: 260° for 5 sec.

**ADAM TECH**  
 909 Railway Avenue, Union, NJ 07083  
 Phone: 908-687-5000 Fax: 908-687-5710

**ADAM TECH**  
 HDM1 CONNECTOR, 19 POS, RIGHT ANGLE  
 SURFACE MOUNT, NO FLANGE

UNLESS OTHERWISE SPECIFIED ALL DIMENSIONS ARE INCHES [MM]	
TOLERANCES: EXCEPT AS NOTED	
INCHES	HOLES
.X ± .10	Ø.X ± .10
.XX ± .020	Ø.XX ± .015
.XXX ± .015	Ø.XXX ± .010
APPROVALS	DATE
DRAWN	SS
CHECKED	
APPROVED	

SIZE	PART NO.	REV.
X	HDM1-S-R-NF-SMT	
REF:	SCALE: NTS	SHEET 1 OF 1