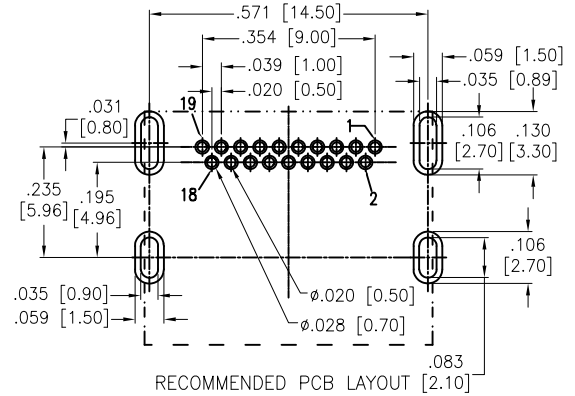
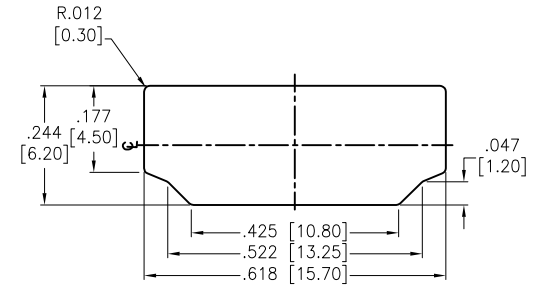
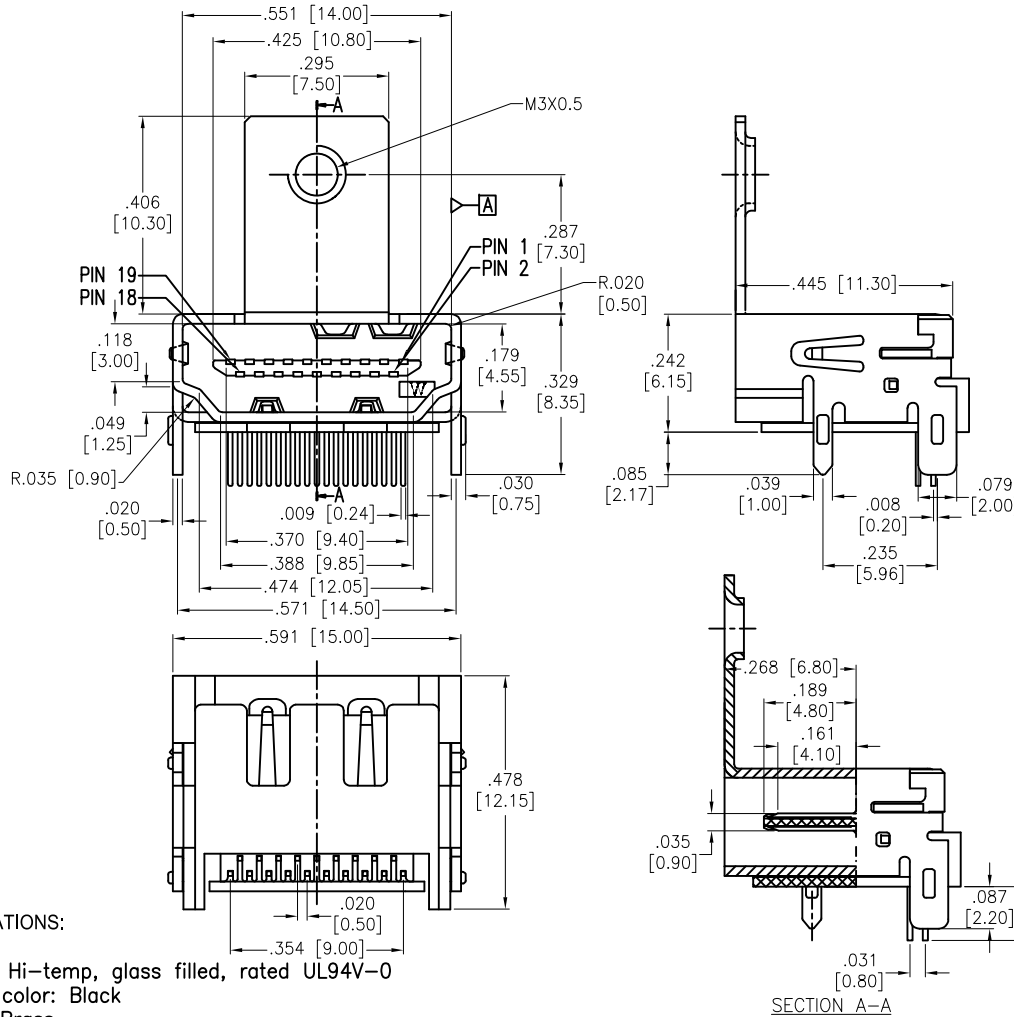


APPROVED: _____

DATE: _____ TITLE: _____

Rev	AWO #	Description	Date	Appr
-		RELEASED	1/14/13	



Pin No.	Signal Name	Pin No.	Signal Name
1	TMDS Data2+	11	TMDS Clock Shield
2	TMDS Data2 Shield	12	TMDS Clock-
3	TMDS Data2-	13	CBC
4	TMDS Data1+	14	Reserved (in cable but N.C. on device)
5	TMDS Data1 Shield	15	SCL
6	TMDS Data1-	16	SDA
7	TMDS Data0+	17	DDC/CEC Ground
8	TMDS Data0 Shield	18	+5V Power
9	TMDS Data0-	19	Hot Plug Detect
10	TMDS Clock+		

SPECIFICATIONS:

Material:
 Insulator: Hi-temp, glass filled, rated UL94V-0
 Insulator color: Black
 Contact: Brass
 Shell: Brass, Nickel plated
 Plating:
 15u" Gold over Nickel underplate on contact area,
 Tin over Nickel underplate on Solder tails
 Electrical:
 Operating voltage: 40 VAC max
 Current rating: 0.5 Amps max
 Insulation resistance: 100 Mohms min
 Contact resistance: 10 mOhms max
 Dielectric withstanding voltage: 500 VAC
 Temperature Rating:
 Operating temperature: -20°C to +85°C
 Environmental:
 Lead free, RoHS Compliant



UNLESS OTHERWISE SPECIFIED
 ALL DIMENSIONS ARE INCHES [MM]
 TOLERANCES: EXCEPT AS NOTED
 INCHES HOLES
 .X ± .10 Ø.X ± .10
 .XX ± .020 Ø.XX ± .015
 .XXX ± .015 Ø.XXX ± .010

ADAM TECH

909 Rahway Avenue, Union, NJ 07083
 Phone: 908-687-5000 Fax: 908-687-5710

APPROVALS		DATE
DRAWN	AY	1/14/13
CHECKED	AL	1/14/13
APPROVED		

TITLE HDMI, RIGHT ANGLE, DIP CONNECTOR			
SIZE X	PART NO. HDMI-S-RA-1-03-MF-15	REV. -	
REF: S00078T	SCALE: NTS	SHEET 1 OF 1	