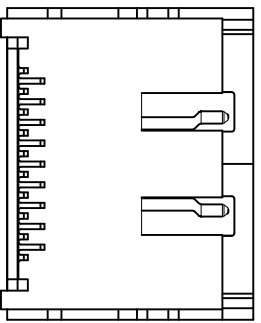
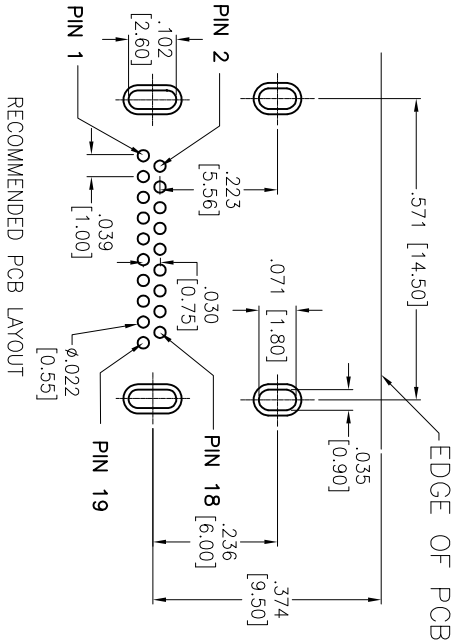
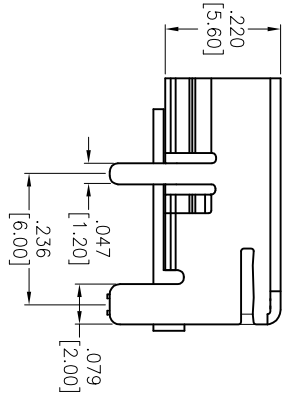
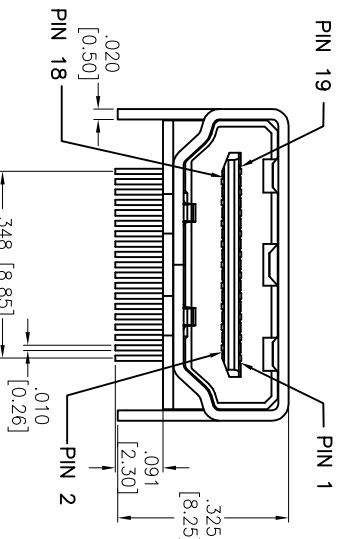
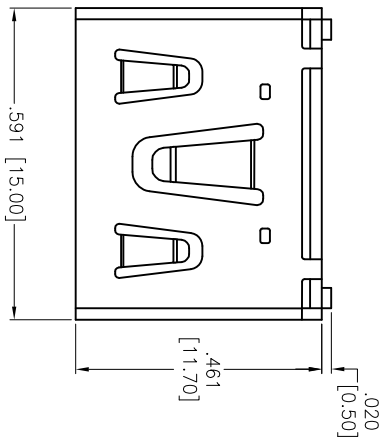


Rev	AWO #	Description	Date	Appr
-		RELEASED	12/19/13	

APPROVED: _____
 DATE: _____ TITLE: _____



SPECIFICATIONS:

Material:
 Insulator: Hi-temp thermoplastic, rated UL 94V-0
 Insulator color: Black
 Contact: Copper Alloy
 Shell: Copper Alloy, Nickel plated
 Plating:
 Gold flash over Copper underplate

Electrical:
 Operating voltage: 40 VAC max
 Current rating: 0.5 Amps max.
 Contact resistance: 30 mΩ max.
 Insulation Resistance: 100 MΩ min
 Dielectric withstanding voltage: 500 VAC for 1 minute.
 Temperature Rating:
 Operating temperature: -25°C to +85°C
 Environmental:
 Lead free, RoHS Compliant

UNLESS OTHERWISE SPECIFIED
 ALL DIMENSIONS ARE IN INCHES [MM]
 TOLERANCES: EXCEPT AS NOTED
 INCHES HOLE SIZE
 .X ± .10 ØXX ± .10
 .XX ± .020 ØXXX ± .015
 .XXX ± .015 ØXXXX ± .010

ADAM TECH

909 Rahway Avenue, Union, NJ 07083
 Phone: 908-687-5000 Fax: 908-687-5710

HDMI, RIGHT ANGLE, DIP CONNECTOR

APPROVALS	DATE	TITLE	SIZE	PART NO.	SCALE	SHEET 1 OF 1	REV.
DRAWN AY	12/19/13	HDMI, RIGHT ANGLE, DIP CONNECTOR	X	HDMI-S-RA-1-04	NTS		
CHECKED GC	12/19/13						
APPROVED							

