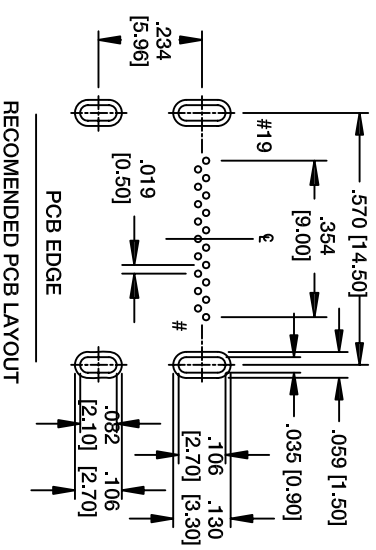
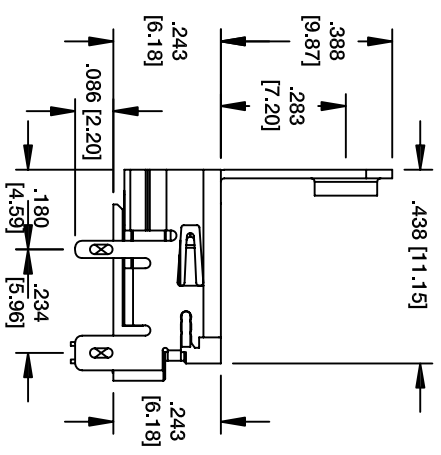
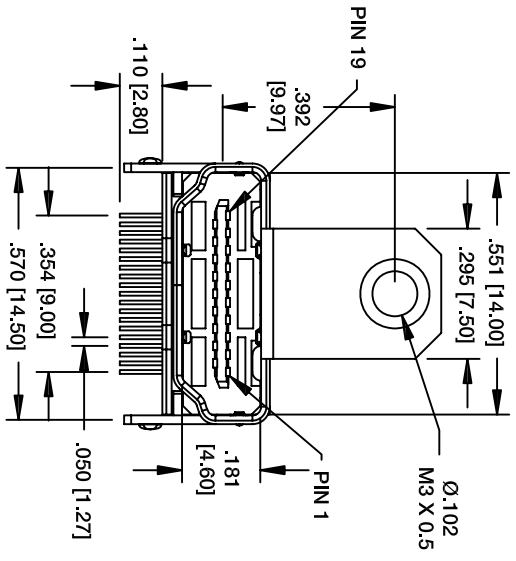
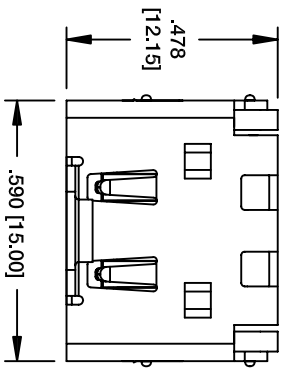


Rev	AWO #	Description	Date	Appr
-	-	RELEASED	01/04/07	BAS

APPROVED: _____
 DATE: _____ TITLE: _____



SPECIFICATIONS:
 MATERIALS:
 HOUSING: THERMOPLASTIC, UL94V-0, COLOR: BLACK
 CONTACT: BRASS
 SHELL: PHOSPHOR BRONZE
 PLATING:
 CONTACT: 15u" GOLD
 TAILS: 100u" TIN (LEAD FREE) 50u" NICKEL UNDERPLATE
 SHELL: 50u" NICKEL

Environmental:
 Lead free, RoHS Compliant
 Recommended soldering temp: 235°C for 5 seconds



UNLESS OTHERWISE SPECIFIED ALL DIMENSIONS ARE IN INCHES [MM]	
TOLERANCES: EXCEPT AS NOTED	
INCHES	HOLDS
.X ± .10	ØX ± .10
.XX ± .020	ØXXX ± .015
.XXX ± .015	ØXXX ± .010
APPROVALS	DATE
DRAWN	BW
CHECKED	
APPROVED	

ADAM TECH
 909 Rahway Avenue, Union, NJ 07083
 Phone: 908-687-5000 Fax: 908-687-5710

TITLE: HDML, RIGHT ANGLE, DIP CONNECTOR

SIZE	PART NO.	REV.
X	HDML-S-RA-1-MF	-
REF:	SCALE: NTS	SHEET 1 OF 1

6 5 4 3 2 1