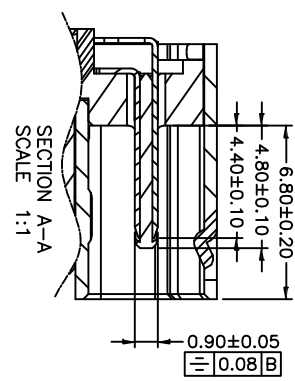
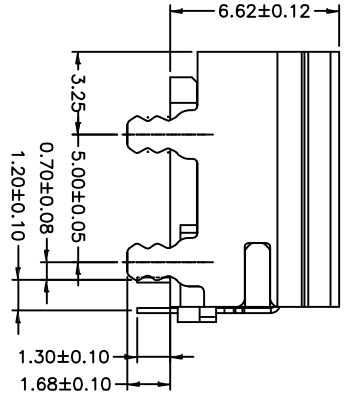
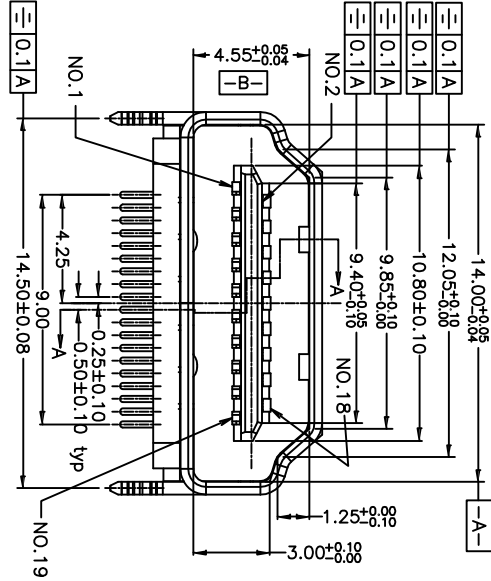
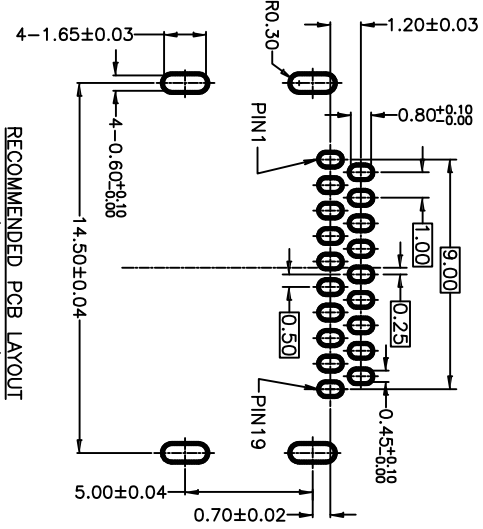
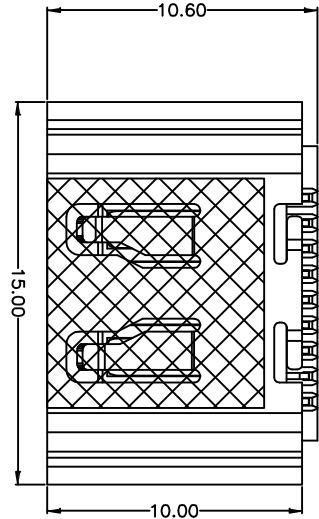


Rev	AWO #	Description	Date	Appr
-		RELEASED	6/08/10	

APPROVED: _____
 DATE: _____ TITLE: _____



SECTION A-A
SCALE: 1:1

PACKAGED ON TAPE & REEL

SPECIFICATIONS:

- Material: Housing: Hi-temp thermoplastic, UL 94V-0
- Housing color: Black
- Contact: Copper Alloy
- Shield: Copper Alloy, Nickel plated
- Plating: 3u" Gold over Nickel underplate on contact area, Tin over Copper underplate on tails.
- Electrical: Voltage rating: 40V
- Current rating: 0.5A
- Dielectric strength: 300VAC for 1 minute min.
- Contact resistance: 100 Megohm min.
- Insulation resistance: 10 mohms max.
- Environmental: Lead free, RoHS Compliant
- Recommended soldering temp: 260°C for 5 seconds.

ADAM TECH

909 Rahway Avenue, Union, NJ 07083
 Phone: 908-687-5000 Fax: 908-687-5710

TITLE: **HDMI CONNECTOR, RIGHT ANGLE**
 DTP TYPE, 2 ROWS

UNLESS OTHERWISE SPECIFIED ALL DIMENSIONS ARE MM TOLERANCES: EXCEPT AS NOTED		INCHES		Holes	
.X	± .10	ØXX	± .10	ØXX	± .10
.XX	± .020	ØXXX	± .015	ØXXX	± .015
.XXX	± .015	ØXXXX	± .010	ØXXXX	± .010
APPROVALS		DATE		DATE	
DRAWN	DY	6/08/10			
CHECKED					
APPROVED					
SIZE	PART NO.	TITLE		REV.	
X	HDMI-S-RA-1-RF-01-03-KT-T/R	HDMI CONNECTOR, RIGHT ANGLE		-	
REF:	S00015C	SCALE:	NIS	SHEET	1 OF 1