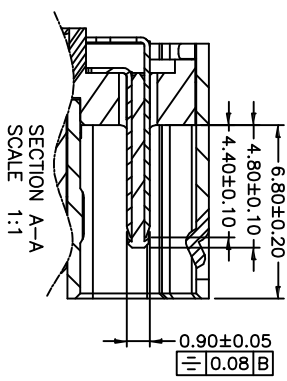
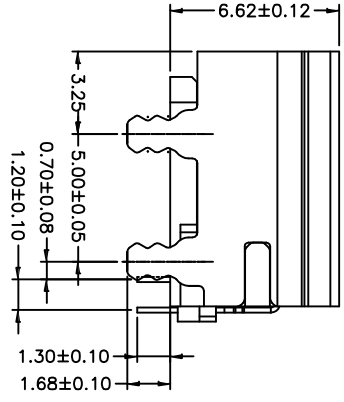
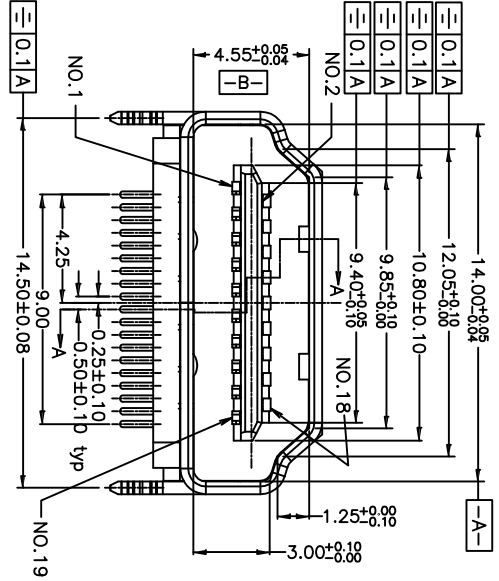
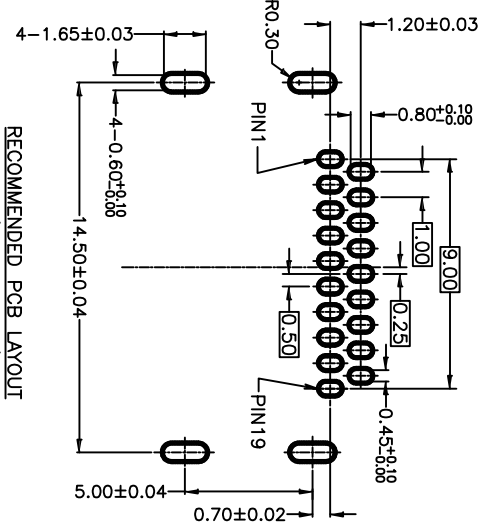
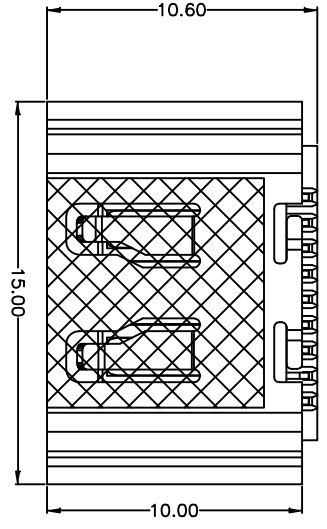


Rev	AWO #	Description	Date	Appr
-		RELEASED	6/03/10	

APPROVED: _____
 DATE: _____ TITLE: _____



PACKAGED ON TAPE & REEL

SPECIFICATIONS:

- Material: Housing: Hi-temp thermoplastic, UL 94V-0
- Housing color: Black
- Contact: Copper Alloy
- Shield: Copper Alloy, Nickel plated
- Plating: Gold flash over Nickel underplate on contact area, Tin over Copper underplate on tails.
- Electrical: Voltage rating: 40V
- Current rating: 0.5A
- Dielectric strength: 300VAC for 1 minute min.
- Insulation resistance: 100 Megohm min.
- Contact resistance: 10 mohms max.
- Environmental: Lead free, RoHS Compliant
- Recommended soldering temp: 260°C for 5 seconds.

ADAM TECH

909 Railway Avenue, Union, NJ 07083
 Phone: 908-687-5000 Fax: 908-687-5710

HDMI CONNECTOR, RIGHT ANGLE
 DIP TYPE, 2 ROWS

UNLESS OTHERWISE SPECIFIED ALL DIMENSIONS ARE MM	
TOLERANCES EXCEPT AS NOTED	
INCHES	HOLDS
.X ± .10	ØX ± .10
.XX ± .020	ØXX ± .015
.XXX ± .015	ØXXX ± .010
APPROVALS	DATE
DRAWN	DRY
6/03/10	
CHECKED	
APPROVED	

SIZE	PART NO.	REV.
X	HDMI-S-RA-1-RF-01-KT-T/R	
REF:	S00015C	SHEET 1 OF 1

