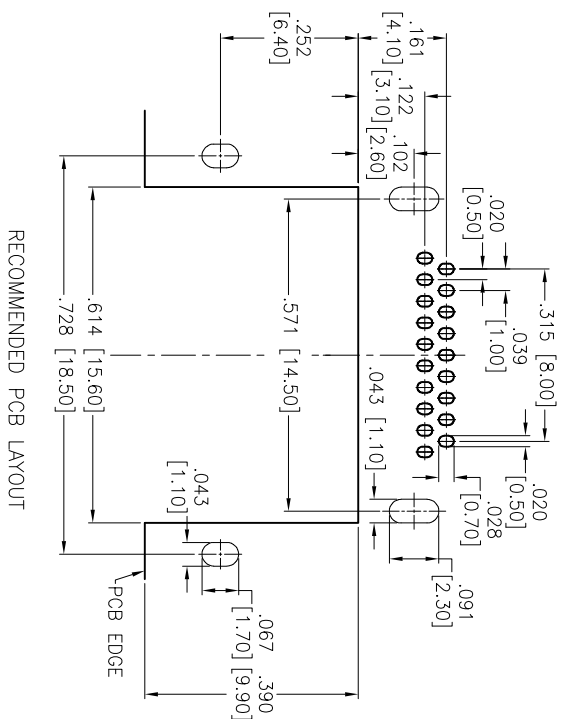
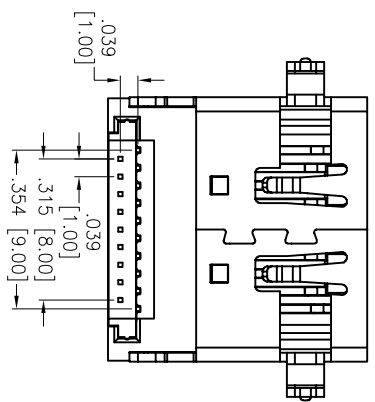
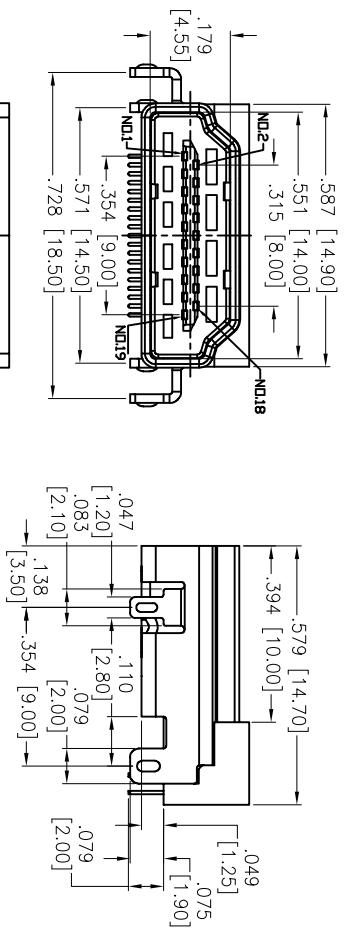
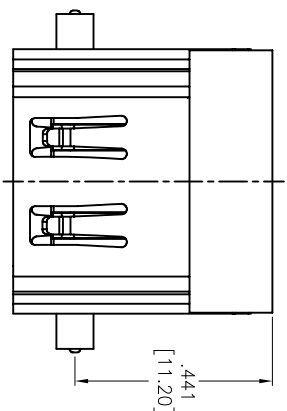


Rev	AWO #	Description	Date	Appr
-		RELEASED	3/3/12	

APPROVED: _____
 DATE: _____ TITLE: _____



RECOMMENDED PCB LAYOUT

SPECIFICATIONS:

- Material: HI-temp thermoplastic, UL 94V-0
- Housing color: Black
- Contact: Copper Alloy
- Shield: Copper Alloy, Nickel plated
- Plating: 15u" Gold over Nickel underplate on contact area, Tin over Copper underplate on tails.
- Electrical:
 - Operating voltage: 40 VAC max
 - Current rating: 1.5 Amps max
 - Contact resistance: 30 mohms max
 - Insulation resistance: 100 Mohms min @ 500 VDC
 - Dielectric withstanding voltage: 500 VAC for 1 minute
- Temperature Rating:
 - Operating temperature: -25°C to +85°C
- Environmental:
 - Lead free, RoHS Compliant
 - Recommended soldering temp: 260°C for 5 seconds.

ADAM TECH

909 Rahway Avenue, Union, NJ 07083
 Phone: 908-687-5000 Fax: 908-687-5710

TITLE: **HDMI CONNECTOR, RIGHT ANGLE**
DIP ASSEMBLY, 15U" SEL GOLD PLATED

UNLESS OTHERWISE SPECIFIED ALL DIMENSIONS ARE IN INCHES [MM]	
TOLERANCES: EXCEPT AS NOTED	
INCHES	HOLDS
.X ± .10	± .10
.XX ± .020	± .015
.XXX ± .015	± .010
.XXX ± .015	± .010
APPROVALS	
DRAWN AY	3/3/12
CHECKED CC	3/3/12
APPROVED	

SIZE X	PART NO. HDMI-S-RA-1-RF-02-15	REV. -
REF: S00106T	SCALE: NTS	SHEET 1 OF 1

