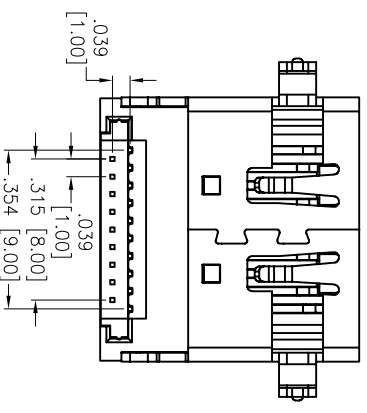
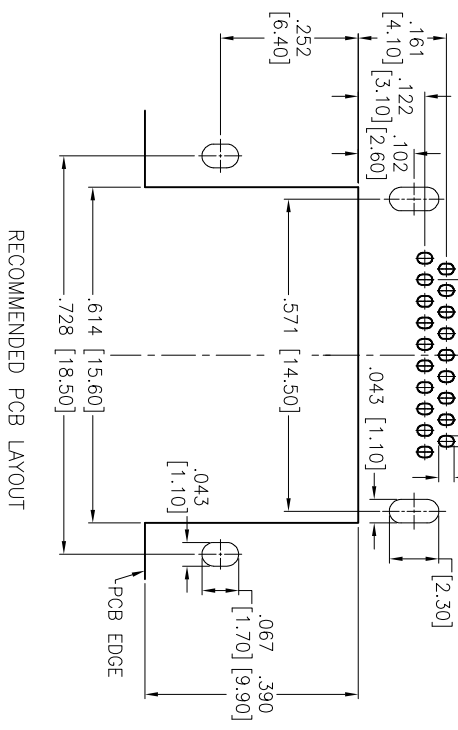
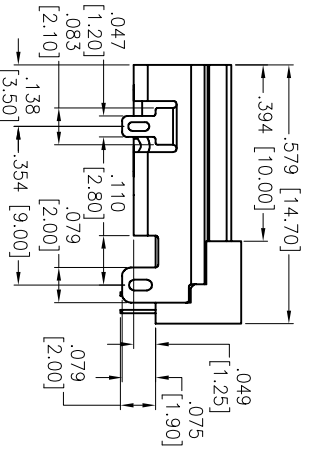
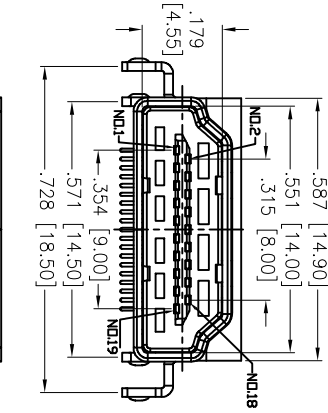
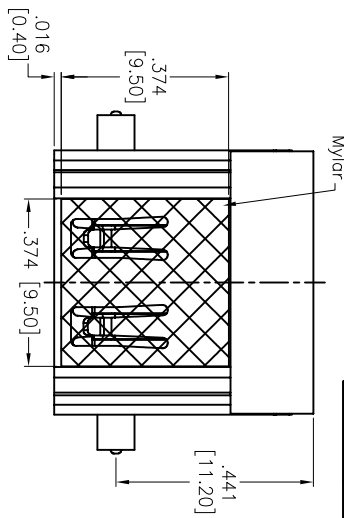


APPROVED: _____
 DATE: _____ TITLE: _____

Rev	AWO #	Description	Date	Appr
-		RELEASED	6/07/10	
A		REDRAWN	02/15/12	



PACKAGED ON TAPE & REEL

SPECIFICATIONS:
 Material: Hi-temp thermoplastic, UL 94V-0
 Housing color: Black
 Contact: Copper Alloy
 Shield: Copper Alloy, Nickel plated
 Plating: Gold flash over Nickel underplate on contact area, Tin over Copper underplate on tails.
 Electrical: Operating voltage: 40 VAC max
 Current rating: 1.5 Amps max
 Contact resistance: 30 mohms max
 Insulation resistance: 100 Mohms min @ 500 VDC
 Dielectric withstanding voltage: 500 VAC for 1 minute
 Temperature Rating: Operating temperature: -25°C to +85°C
 Environmental: Lead free, RoHS Compliant
 Recommended soldering temp: 260°C for 5 seconds.

ADAM TECH
 909 Rahway Avenue, Union, NJ 07083
 Phone: 908-687-5000 Fax: 908-687-5710

ADAM TECH
 HDMI CONNECTOR, RIGHT ANGLE
 DIP ASSEMBLY, W/ MYLAR, TAPE & REEL

UNLESS OTHERWISE SPECIFIED ALL DIMENSIONS ARE INCHES [MM] TOLERANCES EXCEPT AS NOTED INCHES	HOLDERS	DATE	SIZE	PART NO.	SCALE	SHEET	REV.
.X ± .10	ØXX ± .10		X	HDMI-S-RA-1-RF-02-KT-T/R	NIS	1 OF 1	A
.XX ± .020	ØXXX ± .015						
.XXX ± .015	ØXXXX ± .010						
APPROVALS	DATE						
DRAWN	DY	6/07/10					
CHECKED							
APPROVED							

