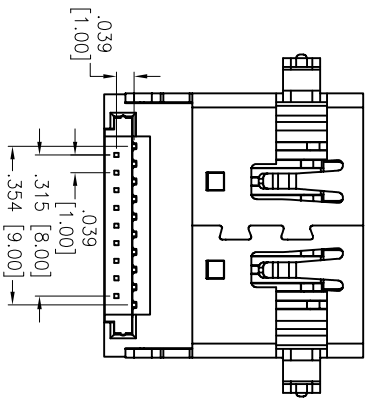
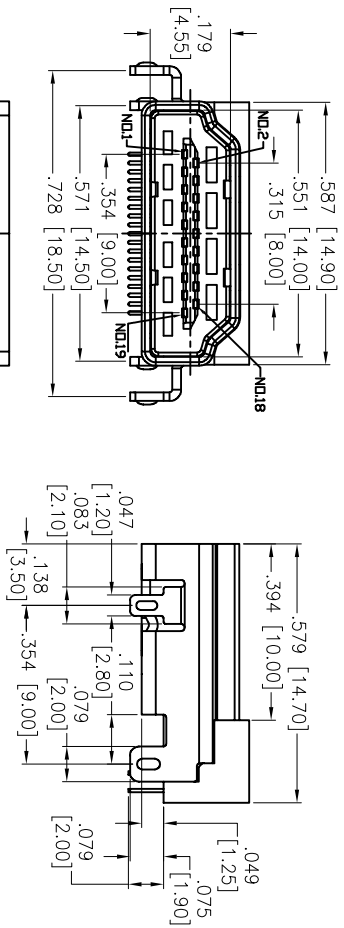
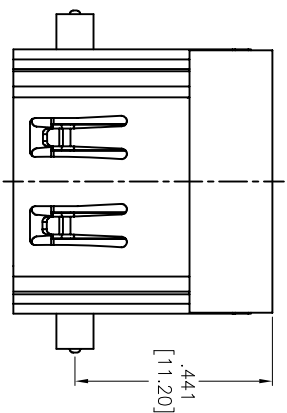
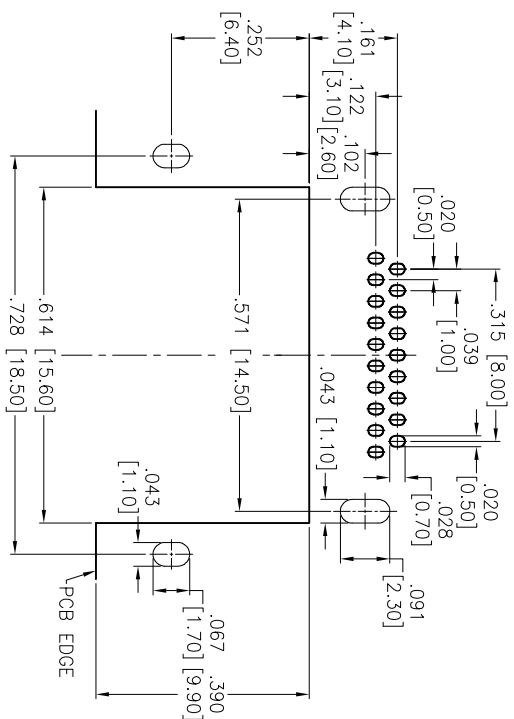


Rev	AWO #	Description	Date	Appr
-		RELEASED	2/23/12	

APPROVED: _____
 DATE: _____ TITLE: _____



RECOMMENDED PCB LAYOUT



SPECIFICATIONS:

- Material: Housing: Hi-temp thermoplastic, UL 94V-0
- Housing color: Black
- Contact: Copper Alloy
- Shield: Copper Alloy, Nickel plated
- Plating: Gold flash over Nickel underplate on contact area, Tin over Copper underplate on tails.
- Electrical: Operating voltage: 40 VAC max
 Current rating: 1.5 Amps max
 Contact resistance: 30 mohms max
 Insulation resistance: 100 Mohms min @ 500 VDC
 Dielectric withstanding voltage: 500 VAC for 1 minute
- Temperature Rating: Operating temperature: -25°C to +85°C
- Environmental: Lead free, RoHS Compliant
- Recommended soldering temp: 260°C for 5 seconds.

ADAM TECH

909 Rahway Avenue, Union, NJ 07083
 Phone: 908-687-5000 Fax: 908-687-5710

TITLE: **HDMI CONNECTOR, RIGHT ANGLE DIP ASSEMBLY**

UNLESS OTHERWISE SPECIFIED ALL DIMENSIONS ARE INCHES [MM]	
TOLERANCES: EXCEPT AS NOTED	
INCHES	HOLE
.X ± .10	± .10
.XX ± .020	± .015
.XXX ± .015	± .010
APPROVALS	DATE
DRAWN AY	2/23/12
CHECKED CC	2/23/12
APPROVED	

SIZE X	PART NO. HDMI-S-RA-1-RF-02	REV. -
REF: S00100T	SCALE: NTS	SHEET 1 OF 1

