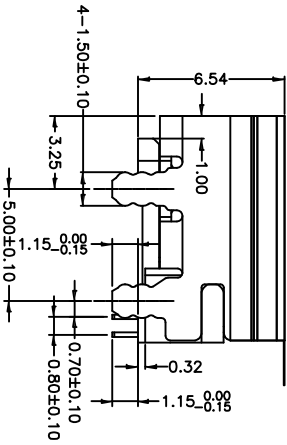
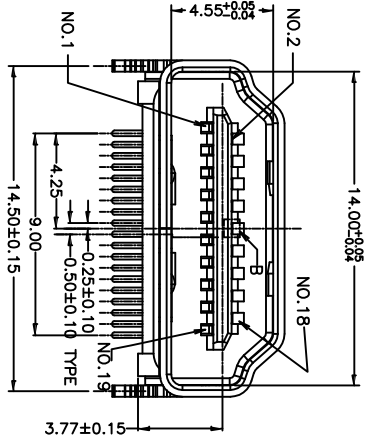
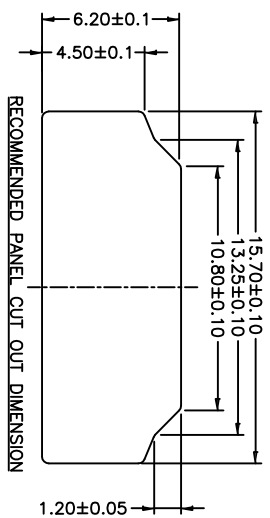
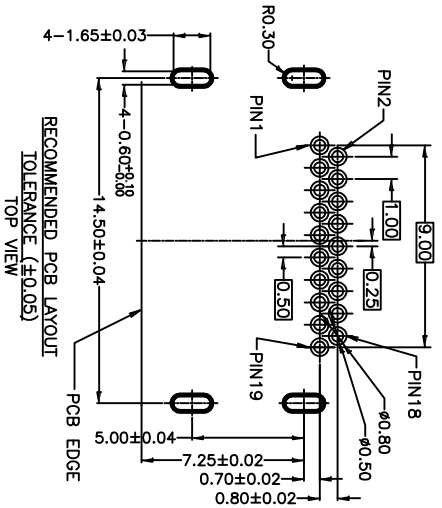
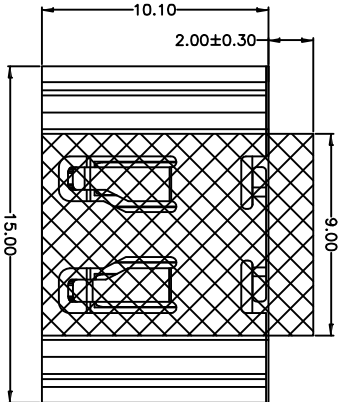


Rev	AWO #	Description	Date	Appr
-		RELEASED	6/04/10	

6 5 4 3 2 1

APPROVED: _____
 DATE: _____ TITLE: _____



PACKAGED ON TAPE & REEL

SPECIFICATIONS:

- Material: Housing: Hi-temp thermoplastic, UL 94V-0
- Housing color: Black
- Contact: Copper Alloy
- Shield: Copper Alloy, Nickel plated
- Plating: Gold flash over Nickel underplate on contact area, Tin over Copper underplate on tails.
- Electrical: Voltage rating: 40V
- Current rating: 0.5A
- Dielectric strength: 300VAC for 1 minute min.
- Insulation resistance: 100 Megohm min.
- Contact resistance: 10 mohms max.
- Environmental: Lead free, RoHS Compliant
- Recommended soldering temp: 260°C for 5 seconds.

ADAM TECH

909 Rahway Avenue, Union, NJ 07083
 Phone: 908-687-5000 Fax: 908-687-5710

TITLE: HDMI CONNECTOR, RIGHT ANGLE
 DIP TYPE, 2 ROWS

UNLESS OTHERWISE SPECIFIED ALL DIMENSIONS ARE MM		TOLERANCES EXCEPT AS NOTED	
INCHES		HOLE	
.X	± .10	ØX	± .10
.XX	± .020	ØXXX	± .015
.XXX	± .015	ØXXX	± .010
APPROVALS		DATE	
DRAWN	DY	6/04/10	
CHECKED			
APPROVED			
SIZE	PART NO.	REV.	
X	HDMI-S-RA-1-RF-KT-T/R	-	
REF:	S00015C	SCALE:	NIS
		SHEET	1 OF 1

6 5 4 3 2 1