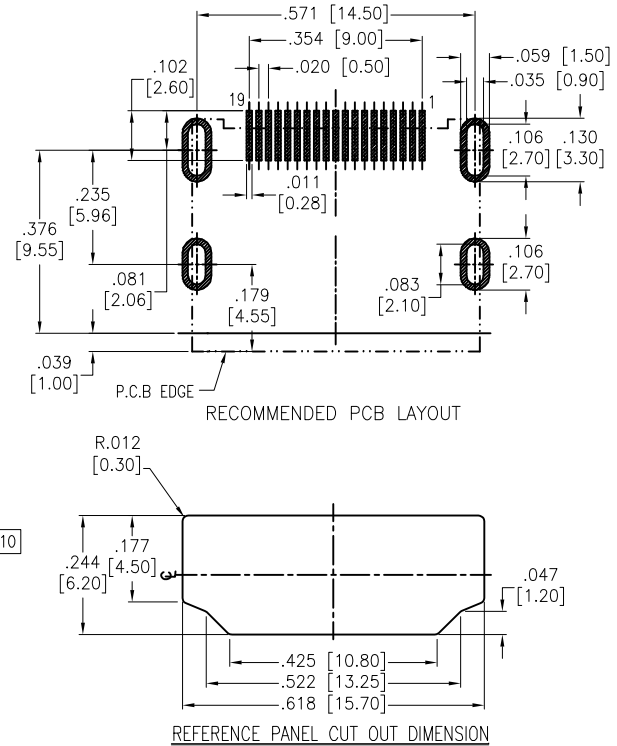
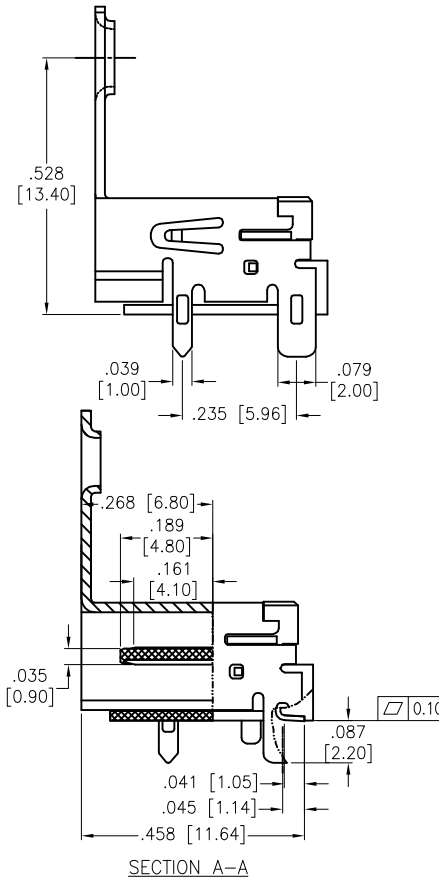
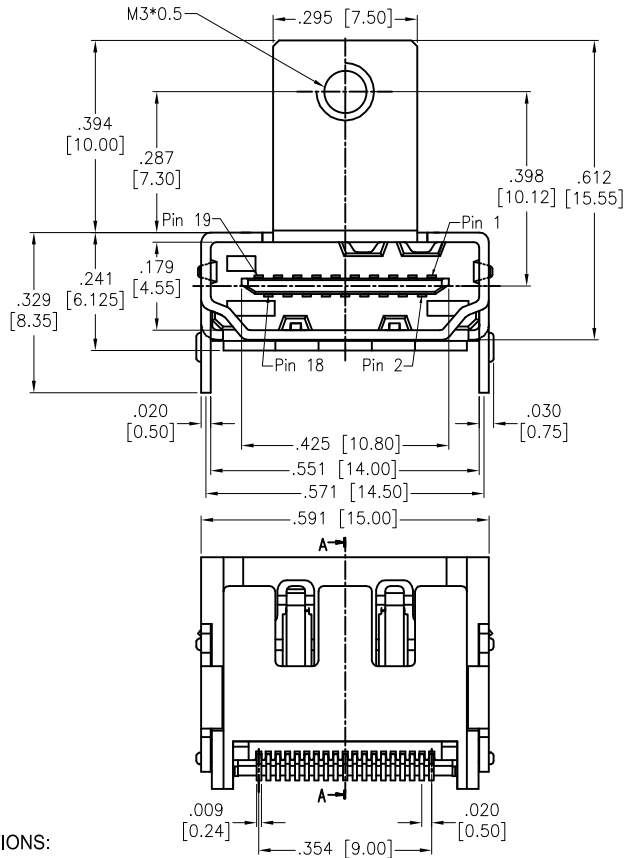


APPROVED: \_\_\_\_\_  
 DATE: \_\_\_\_\_ TITLE: \_\_\_\_\_

Rev	AWO #	Description	Date	Appr
-		RELEASED	9/20/16	

No.	Signal Name	No.	Signal Name
1	TMDS Data2+	11	TMDS Clock Shield
2	TMDS Data2 Shield	12	TMDS Clock-
3	TMDS Data2-	13	CBC
4	TMDS Data1+	14	Reserved (in cable but N.C. on device)
5	TMDS Data1 Shield	15	SCL
6	TMDS Data1-	16	SDA
7	TMDS Data0+	17	DDC/CBC Ground
8	TMDS Data0 Shield	18	+5V Power
9	TMDS Data0-	19	Hot Plug Detect
10	TMDS Clock+		



**SPECIFICATIONS:**

Material:  
 Insulator: Hi-temp, glass filled, rated UL94V-0  
 Insulator color: Black  
 Contact: Brass  
 Shell: Brass, Nickel plated  
 Plating:  
 15u" Gold over Nickel underplate on contact area,  
 Tin over Nickel underplate on Solder tails  
 Electrical:  
 Operating voltage: 40 VAC max  
 Current rating: 0.5 Amps max.  
 Insulation resistance: 100 Mohms min  
 Contact resistance: 10 mOhms max.  
 Dielectric withstanding voltage: 500 VAC.  
 Temperature Rating:  
 Operating temperature: -20°C to +85°C  
 Environmental:  
 Lead free, RoHS Compliant



UNLESS OTHERWISE SPECIFIED  
 ALL DIMENSIONS ARE INCHES [MM]  
 TOLERANCES: EXCEPT AS NOTED  
 INCHES HOLES  
 .X ± .10 Ø.X ± .10  
 .XX ± .020 Ø.XX ± .015  
 .XXX ± .015 Ø.XXX ± .010

APPROVALS		DATE
DRAWN	AY	9/20/16
CHECKED	MY	9/20/16
APPROVED		

**ADAM TECH**

909 Rahway Avenue, Union, NJ 07083  
 Phone: 908-687-5000 Fax: 908-687-5710

TITLE HDMI, RIGHT ANGLE, SURFACE MOUNT MOUNTING FLANGE, 15u" SEL GOLD PLATED		
SIZE X	PART NO. HDMI-S-RA-1-SMT-03-MF-15	REV. -
REF: S00078T	SCALE: NTS	SHEET 1 OF 1